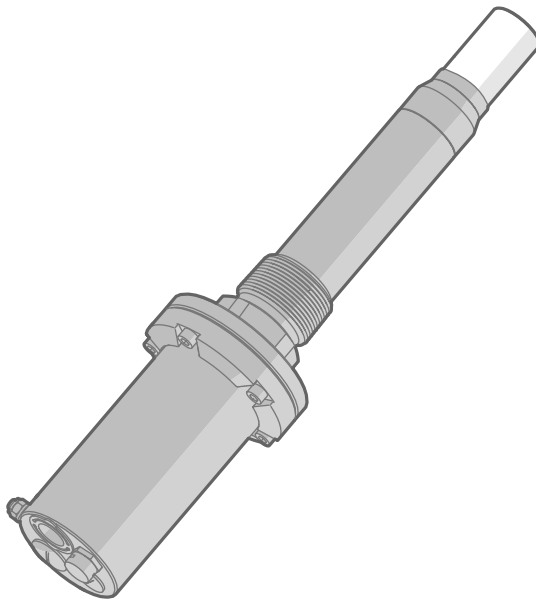


User Guide

MGP260 Series Multigas Probes for Methane,
Carbon Dioxide, and Humidity Measurement

MGP260



VAISALA

PUBLISHED BY

Vaisala Oyj
Vanha Nurmijärventie 21, FI-01670 Vantaa, Finland
P.O. Box 26, FI-00421 Helsinki, Finland
+358 9 8949 1

Visit our Internet pages at www.vaisala.com.

© Vaisala 2021

No part of this document may be reproduced, published or publicly displayed in any form or by any means, electronic or mechanical (including photocopying), nor may its contents be modified, translated, adapted, sold or disclosed to a third party without prior written permission of the copyright holder. Translated documents and translated portions of multilingual documents are based on the original English versions. In ambiguous cases, the English versions are applicable, not the translations.

The contents of this document are subject to change without prior notice.

Local rules and regulations may vary and they shall take precedence over the

information contained in this document. Vaisala makes no representations on this document's compliance with the local rules and regulations applicable at any given time, and hereby disclaims any and all responsibilities related thereto.

This document does not create any legally binding obligations for Vaisala towards customers or end users. All legally binding obligations and agreements are included exclusively in the applicable supply contract or the General Conditions of Sale and General Conditions of Service of Vaisala.

Table of contents

1.	About this document	7
1.1	Version information.....	7
1.2	Related manuals.....	7
1.3	Documentation conventions.....	7
1.4	Trademarks.....	8
2.	Product overview	9
2.1	Introduction to MGP260 series.....	9
2.2	Basic features and options.....	9
2.2.1	Hazardous area safety.....	10
2.2.2	Measurement parameters.....	10
2.2.3	Wet basis and dry basis measurement output.....	10
2.2.4	Connectivity to Vaisala Insight software.....	11
2.3	Probe parts.....	12
2.3.1	Lead-through options and breather plug.....	13
2.4	Measurement principle.....	14
2.5	Using MGP260 series probes in hazardous locations.....	16
2.5.1	Guidelines for safe use in hazardous conditions.....	17
3.	Installation	20
3.1	Overview.....	20
3.1.1	NPT 1.5" thread test plug 257525SP.....	20
3.1.2	Installation preparations.....	21
3.1.3	Installation option: ball valve installation.....	21
3.1.4	Installation option: flow-through adapter installation.....	23
3.1.5	MGP260 dimensions.....	24
3.1.6	Recommended installation position on pipeline.....	24
3.1.7	Gas safety during installation.....	25
3.1.8	Pressure compensation input options.....	25
3.2	Preparing probe for installation.....	26
3.3	Inserting probe into process and opening connection box.....	27
3.4	Wiring.....	28
3.4.1	Wiring diagram.....	30
3.5	Finalizing installation.....	31
3.6	Attaching flow-through adapter to MGP260.....	31
4.	Operating with Insight software	34
4.1	Vaisala Insight software.....	34
4.1.1	Basic and Advanced user modes.....	34
4.2	Connecting to Insight software.....	35
4.2.1	Installing the driver for the USB service cable.....	36
4.3	Insight main view.....	37
5.	Modbus	38
5.1	Configuring Modbus communication settings with Insight.....	39

6.	Analog output configuration.....	40
6.1	Analog output configuration overview.....	40
6.1.1	Default parameter configuration of output channels.....	40
6.2	Configuring analog outputs with Modbus.....	40
6.3	Configuring analog outputs with Insight.....	41
6.4	Changing units in Insight.....	42
6.5	Wet basis and dry basis measurement parameters.....	42
7.	Environmental compensation.....	44
7.1	Environmental compensation overview.....	44
7.1.1	Temperature compensation.....	44
7.1.2	Pressure compensation.....	44
7.1.3	Compensation mode during calibration.....	45
7.2	Configuring environmental compensations with Modbus.....	45
7.3	Configuring environmental compensations with Insight.....	45
7.3.1	Configuring setpoint values for compensations with Insight.....	47
7.3.2	Using probe measurement as temperature compensation.....	47
7.3.3	Using compensation received from external temperature or pressure sensor.....	47
7.3.4	Configuring input from external analog pressure or temperature sensor.....	48
7.3.5	Sending analog input channel value from an analog output channel.....	49
8.	Calibration.....	50
8.1	Calibration recommendations.....	50
8.2	Calibration overview.....	50
8.2.1	Compensation mode during calibration.....	51
8.2.2	Flow-through adapter.....	51
8.3	Calibration and adjustment with Insight PC software.....	53
8.3.1	Example: 2-point adjustment with zero point adjustment.....	54
8.3.2	Zero point adjustment.....	54
8.3.3	Calibrating and adjusting methane (CH ₄) measurement.....	56
8.3.4	Calibrating and adjusting carbon dioxide (CO ₂) measurement.....	56
8.3.5	Calibrating and adjusting temperature measurement.....	57
9.	Maintenance.....	59
9.1	Maintenance overview.....	59
9.2	Filter change.....	59
9.3	Removing probe from process.....	60
9.4	Cleaning the probe.....	61
9.5	Sending probe to Vaisala.....	62
10.	Technical data.....	64
10.1	Specifications.....	64
10.2	Flow-through adapter dimensions.....	68
10.3	MGP260 dimensions.....	69
10.4	Wetted parts material information.....	70

10.5	Recycling instructions.....	70
Appendix A: Modbus reference.....		72
A.1	Modbus registers.....	72
A.1.1	Measurement data registers.....	72
A.1.2	Configuration registers.....	74
A.1.3	Status registers.....	85
A.1.4	Device identification objects.....	88
Maintenance and calibration services.....		91
Warranty.....		91
Technical support.....		91
Recycling.....		91

List of figures

Figure 1	MGP261 output parameter selections in Vaisala Insight PC software.....	11
Figure 2	MGP260 probe parts (closed and opened view).....	12
Figure 3	Lead-through options and breather plug	13
Figure 4	Probe cuvette with mirror and sensor chips.....	14
Figure 5	Measurement in the measurement cuvette.....	15
Figure 6	MGP260 Ga/Gb division.....	17
Figure 7	NPT 1.5" thread test plug.....	20
Figure 8	MGP260 installation example with wiring routes and recommended orientation and depth.....	22
Figure 9	MGP260 in flow-through adapter 258877.....	23
Figure 10	MGP260 dimensions in millimeters and inches.....	24
Figure 11	Recommended MGP260 installation position on pipeline.....	24
Figure 12	MGP260 screw terminal markings and cable routes.....	28
Figure 13	MGP260 wiring diagram.....	30
Figure 14	Connecting probe to Insight.....	35
Figure 15	Insight main menu and settings.....	37
Figure 16	Modbus communication settings in Insight PC software.....	39
Figure 17	Analog output configuration options in Insight (MGP262 example).....	41
Figure 18	Unit selection in Insight.....	42
Figure 19	Measurement menu view in Insight PC software	46
Figure 20	Analog input 1 configuration menu in Insight.....	48
Figure 21	Input level selection in Insight analog output configuration options (MGP262 example).....	49
Figure 22	Flow-through adapter 258877.....	52
Figure 23	Calibration menu view in Insight PC software.....	53
Figure 24	Zero point adjustment tab.....	55
Figure 25	Temperature adjustment view in Insight.....	57
Figure 26	Replacing filter.....	59
Figure 27	Flow-through adapter dimensions with MGP260 probe.....	68
Figure 28	Flow-through adapter mounting plate dimensions.....	69
Figure 29	MGP260 dimensions in millimeters and inches.....	69
Figure 30	Removing parts for recycling.....	71
Figure 31	Probe body and component board: dispose as electrical and electronic waste.....	71

List of tables

Table 1	Document versions (English).....	7
Table 2	Related manuals.....	7
Table 3	MGP261 measurement parameters.....	10
Table 4	MGP262 measurement parameters.....	10
Table 5	MGP260 series hazardous area classifications.....	16
Table 6	Screw terminal wiring requirements.....	18
Table 7	Intrinsic safe IIB output parameters.....	18
Table 8	Default Modbus serial communication settings.....	38
Table 9	40
Table 10	Measurement performance.....	64
Table 11	Measurement performance.....	65
Table 12	Inputs and outputs.....	66
Table 13	Compliance.....	67
Table 14	Operating environment.....	67
Table 15	Mechanical specification.....	67
Table 16	Options and accessories.....	68
Table 17	Modbus measurement data registers (read-only).....	72
Table 18	Modbus configuration data registers (writable).....	74
Table 19	Modbus status data registers (read-only).....	85
Table 20	Error codes in register 0200 _{hex} (status code low).....	87
Table 21	Error codes in register 0202 _{hex} (status code high).....	87
Table 22	Device identification objects.....	88

1. About this document

1.1 Version information

Table 1 Document versions (English)

Document code	Date	Description
M212504EN-B	April 2021	This manual. Added MGP262 probe model, clarified pressure compensation requirements, analog output options updated.
M212504EN-A	October 2020	First version of the document.

1.2 Related manuals

Table 2 Related manuals

Document code	Description
M212481EN	MGP260 Series Multilingual Installation and Safety Guide (languages: English, German, French, Dutch, Spanish, Portuguese, Italian, Hungarian, Czech, Polish, Finnish, Estonian, Swedish, Norwegian, Danish)
M212500EN	MGP260 Series Multilingual Installation and Safety Guide (languages: English, Japanese, Chinese)
M212538EN	MGP260 Series USB Service Cable 257295 Quick Guide
M212539EN	MGP260 Series Flow-through adapter 258877 Quick Guide
M212540EN	China ROHS disclosure report

1.3 Documentation conventions



WARNING! Warning alerts you to a serious hazard. If you do not read and follow instructions carefully at this point, there is a risk of injury or even death.



CAUTION! Caution warns you of a potential hazard. If you do not read and follow instructions carefully at this point, the product could be damaged or important data could be lost.



Note highlights important information on using the product.

1.4 Trademarks

Vaisala® and CARBOCAP® are registered trademarks of Vaisala Oyj.

All other product or company names that may be mentioned in this publication are trade names, trademarks, or registered trademarks of their respective owners.

2. Product overview

2.1 Introduction to MGP260 series

Vaisala CARBOCAP® MGP260 Series Multigas Probes for Methane, Carbon Dioxide, and Humidity Measurement are compact and durable in-situ probes for methane (CH₄), carbon dioxide (CO₂), and humidity (H₂O vapor) measurements in demanding biogas processing conditions. MGP260 series probes are Ex certified for use in Ex Zone 0 (parts inserted into process) and Ex Zone 1 (parts outside the process).

The MGP260 series includes two probe variants for different biogas process measurement applications. MGP261 is targeted at raw biogas measurement, whereas MGP262 is intended for offgas measurements in biogas upgrading facilities. All MGP260 series instruments are designed to be installed directly in the process gas pipeline, removing the need for sample treatment.

The application areas of the MGP261 variant include anaerobic digestion of industrial and municipal waste and sludge from waste water treatment, landfill gas monitoring, activated carbon filter monitoring in biogas treatment process, and CHP engine feed gas monitoring.

MGP262 probes are optimized for measuring methane concentrations below 5 vol-% and CO₂ concentrations above 90 vol-% in the offgas stream, making them ideal for a wide range of upgrading technologies and processes.

The MGP260 series proprietary infrared technology provides superior stability and repeatability. Thanks to condensation elimination through probe heating and corrosion-resistant steel and plastic materials, the IP66-rated instruments are highly robust and durable.

MGP260 series measurement output options include 3 analog current output channels (4 ... 20 mA) and Modbus RTU over RS-485. The probes also provide a 4 ... 20 mA Ex ia input for connecting an external pressure or temperature sensor.

For easy-to-use access to configuration, diagnostics, and calibration and adjustment functionalities, MGP260 probes can be connected to Vaisala Insight PC software with a USB cable accessory.

2.2 Basic features and options

- Available measurement parameters:
 - MGP261: methane (CH₄), carbon dioxide (CO₂), and humidity (H₂O vapor)
 - MGP262: methane (CH₄) and carbon dioxide (CO₂)
- Ex classification: IECEx and MET certified for use in Class I Division 2 and Zone 0/1 environments: for full Ex classifications, see [Table 5 \(page 16\)](#).
- Operating pressure: -500 ... +500 mbar
- 3 analog outputs (4 ... 20 mA, scalable, isolated)
- Digital output: Modbus RTU over RS-485
- External pressure or temperature sensor input (4 ... 20 mA, Ex ia)
- Power supply input: 18 ... 30 VDC

- Direct installation into process: for pipeline ports with 1.5" female NPT thread
- Compatible with Vaisala Insight PC software

2.2.1 Hazardous area safety



CAUTION! Do not install or use MGP260 in a hazardous area before reviewing the safety information in [Using MGP260 series probes in hazardous locations \(page 16\)](#).

2.2.2 Measurement parameters

[Table 3 \(page 10\)](#) shows the units and ranges of MGP261 measurement parameters, and [Table 4 \(page 10\)](#) shows the units and ranges of MGP262 measurement parameters.

For further information on MGP261 and MGP262 measurement parameters, see [Specifications \(page 64\)](#).

Table 3 MGP261 measurement parameters

Parameter	Unit	Measurement range
Methane (CH ₄)	Volume-%	0 ... 100 vol-%
Carbon dioxide (CO ₂)	Volume-%	0 ... 100 vol-%
Water vapor (H ₂ O)	<ul style="list-style-type: none"> • Volume-% • Dew point temperature • Dew point and frost point temperature 	<ul style="list-style-type: none"> • 0 ... 25 vol-% • -10 ... +60 °C (14 ... +140 °F)

Table 4 MGP262 measurement parameters

Parameter	Unit	Measurement range
Methane (CH ₄)	Volume-%	0 ... 5 vol-%
Carbon dioxide (CO ₂)	Volume-%	0 ... 100 vol-%

2.2.3 Wet basis and dry basis measurement output

MGP261 methane, carbon dioxide, and water vapor measurements can be shown either as wet basis or dry basis values. The wet basis / dry basis measurement output selection is made when ordering the probe, and can be configured with Vaisala Insight PC software or Modbus.



Note that wet basis and dry basis value selection is only applicable to MGP261.

Output mode: 4...20 mA

Output parameter: Td

Scale low end: [info]

Scale high end: [info]

Error output: [info]

Save

The CH₄, CO₂, and H₂O measurements are available both as dry basis and wet basis values. The formula for wet basis to/from dry basis conversion is shown below the parameter descriptions.

CH₄: Methane concentration (wet basis)
CH₄ (dry): Methane concentration (dry basis)
CO₂: Carbon dioxide concentration (wet basis)
CO₂ (dry): Carbon dioxide concentration (dry basis)
H₂O: Water concentration (wet basis)
H₂O (dry): Water concentration (dry basis)
Td: Dew point temperature
Td/f: Dew point / frost point temperature

$$X(\text{dry}) = \frac{X(\text{wet})}{100\% - H_2O}$$

X(dry): gas concentration (dry basis) (%)
X(wet): gas concentration (wet basis) (%)
H₂O: gas concentration (wet basis) (%)

Figure 1 MGP261 output parameter selections in Vaisala Insight PC software

More information

- [Configuring analog outputs with Insight \(page 41\)](#)

2.2.4 Connectivity to Vaisala Insight software

The probe can be connected to Vaisala Insight software using a Vaisala USB cable (order code: 257295). With the Insight software, you can:

- Calibrate and adjust the measurement.
- See device information and status.
- See real-time measurement.
- Configure serial communication settings, analog input and output parameters and scaling, and environmental compensations.

More information

- [Connecting to Insight software \(page 35\)](#)

2.3 Probe parts

Figure 2 (page 12) shows the MGP260 main components with the connection box of the probe closed and opened.

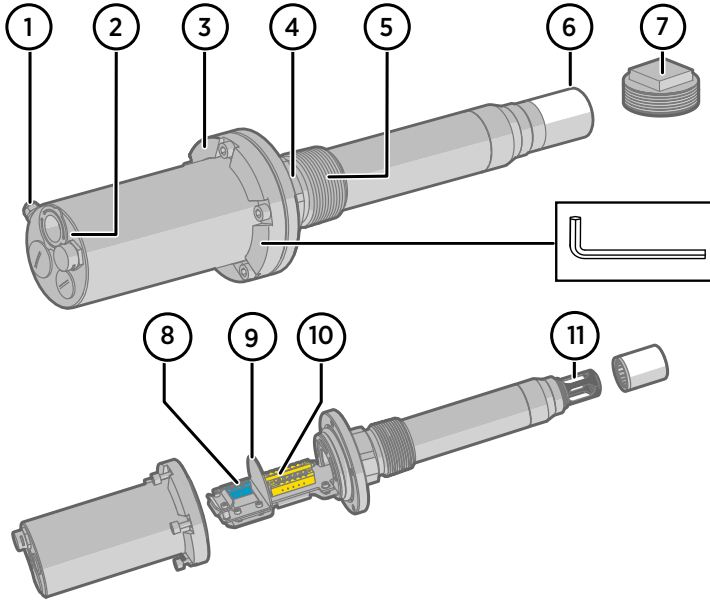


Figure 2 MGP260 probe parts (closed and opened view)

- 1 Grounding terminal: use a $\geq 4 \text{ mm}^2$ wire to connect to the grounding rail
- 2 Breather plug and lead-throughs for wiring: install cable glands as required and seal unused lead-throughs (see [Lead-through options and breather plug \(page 13\)](#))
- 3 Tightening flange of the connection box with captive Allen screws. Loosen the captive screws with a 5 mm (3/16 in) Allen key and open the connection box to access wiring terminals.
- 4 Tightening nut: only tighten from the tightening nut when installing (wrench size: 50 mm (1.97 in))
- 5 1.5" male NPT thread: **never install to any other thread type than 1.5" female NPT thread**
- 6 Probe filter (user-replaceable)
- 7 1.5" NPT thread test plug
- 8 Wiring terminals for optional 4 ... 20 mA input from external pressure or temperature sensor (Ex ia)
- 9 Barrier separating the intrinsically safe (Ex ia) optional external sensor input terminals from the analog output, power supply input, and RS-485 terminals
- 10 Wiring terminals for 4 ... 20 mA analog outputs, 18 ... 30 VDC power supply input, and RS-485 communication
- 11 Measurement cuvette with optics and CARBOCAP® sensor inside the probe filter

2.3.1 Lead-through options and breather plug

Figure 3 (page 13) shows the MGP260 lead-through options and breather plug location.



Cable glands are not provided by Vaisala. When selecting cable glands for your application, note the requirements in [Guidelines for safe use in hazardous conditions \(page 17\)](#).

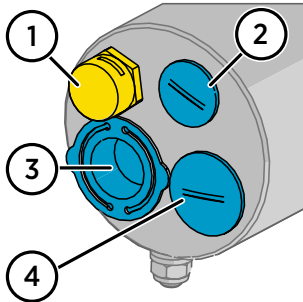


Figure 3 Lead-through options and breather plug

- 1 Breather plug: do not adjust.
- 2 M16x1.5 wiring lead-through: used when wiring the optional Ex ia external pressure or temperature sensor input terminal.
- 3 M20x1.5 wiring lead-through with removable plastic transport cover (fold sides of transport cover together and pull out). Wiring option for analog output, power supply input, and RS-485 terminals, or customer-specific additional wiring.
- 4 M20x1.5 wiring lead-through for analog output, power supply input, and RS-485 terminals.

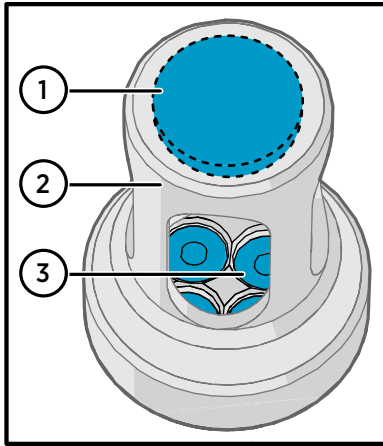


CAUTION! Seal unused lead-throughs. Use only Ex compliant seals on the MGP260 lead-throughs.

More information

- [Preparing probe for installation \(page 26\)](#)
- [Wiring \(page 28\)](#)

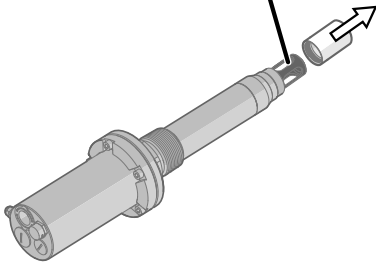
2.4 Measurement principle



The Vaisala CARBOCAP® sensor used in the probe is a silicon-based, nondispersive infrared (NDIR) sensor for the measurement of methane (CH₄), carbon dioxide (CO₂), and humidity (H₂O).

Figure 4 Probe cuvette with mirror and sensor chips

- 1 Mirror
- 2 Cuvette
- 3 Sensor chips under TO5 packages



The sensitivity to gases is based on absorption of infrared light at a characteristic wavelength. During measurement, infrared light is routed through the cuvette that contains the gas to be measured. A mirror reflects the light from the cuvette to thermopile detectors that measure the light intensity at a wavelength determined by a Fabry-Pérot interferometer (FPI) and a band pass filter. One set of optics measures humidity and carbon dioxide, and a second one measures methane.

The measurement consists of two steps: first, the FPI is electrically tuned so that its pass band coincides with the characteristic absorption wavelength of the measured gas and the signal is recorded. Second, the pass band is shifted to a wavelength where no absorption occurs in order to get a reference signal. The ratio of these two signals, one at the absorption wavelength and the other at the reference wavelength, gives the fraction of light absorption from which the gas concentration is calculated. Measuring the reference signal compensates the possible effects of sensor aging and signal attenuation due to dirt on optical surfaces, making the sensor very stable over time.

TO5 packages with hermetic windows are used to protect the sensor chips from moisture and contamination.

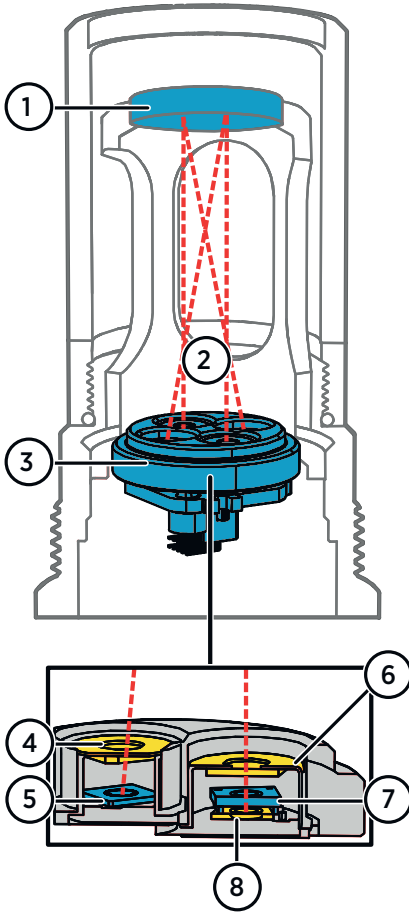


Figure 5 Measurement in the measurement cuvette

- 1 Mirror
- 2 Light absorbed by the measured gases
- 3 Sensor chips under TO5 packages (see items 4 ... 8)
- 4 Hermetic window
- 5 Thermopile detector
- 6 Hermetic window
- 7 Fabry-Pérot interferometer
- 8 Light source (Microglow)

More information

- [Specifications \(page 64\)](#)

2.5 Using MGP260 series probes in hazardous locations



WARNING! MGP260 series probes have been designed for use in hazardous locations as specified by the product classification. The personnel installing, using, or maintaining MGP260 probes are responsible for determining the appropriate protection concept for the specific application the probe is used in, and that the hazardous area classification of the probe meets the requirements of the application.



WARNING! If the equipment is used in a manner not specified by Vaisala, the protection provided by the equipment may be impaired.

MGP260 probes are certified for use in hazardous areas as defined by the following classifications:

Table 5 MGP260 series hazardous area classifications

Certification	MGP260 classification
IECEX (international) ATEX (EU)	Ex II 1/2 (I) G Ex eb mb [ia] IIB T3 Ga/Gb -40 °C ≤ Tamb ≤ +60 °C
MET (US/CAN)	NEC 500: Class I, Division 2, Groups C & D; T3 NEC 505: Class I, Zone 0, AEx eb mb [ia] IIB T3 Ga/Gb CSA 60079: Ex eb mb [ia] IIB T3 Ga/Gb



CAUTION! The personnel installing, operating, and maintaining MGP260 probes must have the required competencies for working in the hazardous location, as defined by the applicable standards.

For information on the standards that apply to using MGP260 probes based on the classification of the device, see MGP260 certification documentation and the declarations of conformity related to MGP260 probes at www.vaisala.com/declarationofconformity.

2.5.1 Guidelines for safe use in hazardous conditions

Process connection and partition wall

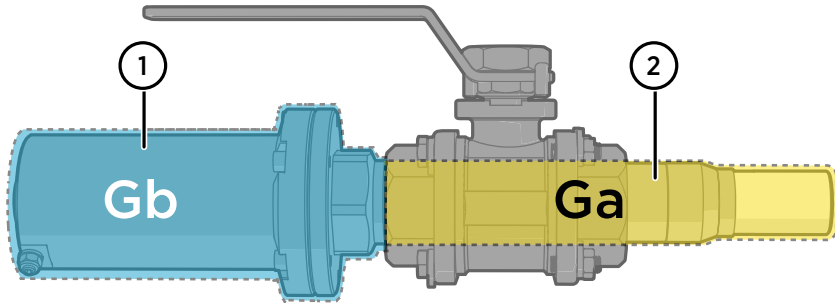


Figure 6 MGP260 Ga/Gb division

- 1 The part outside of the process (up until to the NPT 1.5" connection thread) complies with the **Gb** Equipment Protection Level (EPL).
- 2 The part inside the process (starting from the NPT 1.5" thread) complies with the **Ga** EPL. The partition wall is made of stainless steel, sapphire glass, and silicone adhesive. The stress limit temperature range of the silicone adhesive is -40 ... +60 °C (-40 ... +140 °F).



WARNING! While installing or uninstalling the device, there is a risk of flammable gas release or flame entrance.

Wiring requirements

- The wiring of the optional intrinsically safe (Ex ia) external pressure or temperature sensor input terminal must be kept separate from the analog output, power supply input, and RS-485 wiring.
 - See the overview in and instructions in .
- The cable glands and cables used for wiring the device must not impair the Ex protection.
 - US/CAN: The cables used for wiring must have a flammability rating of UL 2556 VW-1 or equivalent.
 - Unused lead-throughs must be sealed using Ex compliant plugs.
- See [Table 6 \(page 18\)](#) for screw terminal requirements.
- Use an 18 ... 30 VDC power supply with the probe.
 - Permitted supply short-circuit current (I_k): 50 A.
 - US/CAN: only use a UL listed 18 ... 30 VDC (min. 6 W) power supply. The power supply must be UL/CSA 60950-1 certified.
 - MGP260 analog outputs must be externally powered.



CAUTION! Connect only de-energized wires. Never switch on the power supply input before completing the wiring and closing the connection box.

Table 6 Screw terminal wiring requirements

Property	Specification
Connection torque	0.5 Nm ... 0.6 Nm
Wire cross section / connection capacity (solid and flexible)	0.2 mm ² ... 2.5 mm ² (AWG 24 ... 12)
Stripping length	7 mm (0.27 in)

Intrinsic safety

The overvoltage category of MGP260 series probes is **I** (non-mains equipment), as defined in IEC 60664-1.

MGP260 probes are in conformance with the IEC 60079-11 dielectric strength requirement. For the intrinsic safe IIB output parameters, see [Table 7 \(page 18\)](#).

Table 7 Intrinsic safe IIB output parameters

Parameter	Value
U_o	25.2 V
I_o	78 mA
P_o	0.5 W
U_m	40 V
C_o	820 nF
L_o	20 mH

The parameters listed in [Table 7 \(page 18\)](#) apply when one of the two conditions below is given:

- the total L_i of the external circuit (excluding the cable) is $< 1\%$ of the L_o value; or
- the total C_i of the external circuit (excluding the cable) is $< 1\%$ of the C_o value.

The parameters are reduced to 50% when both of the two conditions below are given:

- the total L_i of the external circuit (excluding the cable) is $\geq 1\%$ of the L_o value; and
- the total C_i of the external circuit (excluding the cable) is $\geq 1\%$ of the C_o value.

Note: the reduced capacitance of the external circuit (including cable) shall not be greater than 1 μ F for Groups I, IIA, IIB & IIIC, and 600nF for Group IIC.

The values of L_o and C_o determined by this method shall not be exceeded by the sum of all of the L_i plus cable inductances in the circuit and the sum of all of C_i plus cable capacitances, respectively.

Connecting probe to Insight PC software

The Insight PC software connection cable must only be used outside the explosion hazardous area. Remove the probe from the process for configuration, and use only the Vaisala accessory PC connection cable to connect the probe to Insight.

Maintenance

The probe filter is the only user-replaceable part in MGP260 probes. For other maintenance requirements, contact Vaisala.



CAUTION! Live maintenance is not allowed.

The content in this chapter is maintained in the following separately tracked document:

Document ID: M212420EN

Revision: A (15 Mar 2020)

3. Installation

3.1 Overview

MGP260 can be installed either directly into the process (for example, through a flange or ball valve in the actual process pipeline), or using a flow-through adapter (for example, in a sampling line installation or when performing a field calibration).

For an overview of installing MGP260 directly in the process, see [Installation option: ball valve installation \(page 21\)](#).

For an overview of the flow-through adapter installation option, see [Installation option: flow-through adapter installation \(page 23\)](#).



CAUTION! Note that the pressure compensation input must be set up in order to receive accurate measurements. For pressure input options, see [Pressure compensation input options \(page 25\)](#).

3.1.1 NPT 1.5" thread test plug 257525SP



CAUTION! The correct thread type in which to install MGP260 is **1.5" female NPT**. Installing into any other thread type can damage the equipment and compromise the leak tightness of the connection. If unsure, verify the thread type with the NPT 1.5" thread test plug.

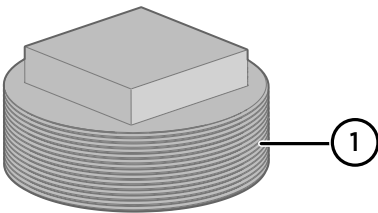


Figure 7 NPT 1.5" thread test plug

- 1 NPT 1.5" male thread (same as on MGP260 connector)

MGP260 comes shipped with an NPT 1.5" male thread test plug (Vaisala order code: 257525SP). If you are uncertain about the thread type of the process connector you want to install MGP260 into, use the thread test plug to check that it fits into the process connector threads (that is, that the process connector thread type is **NPT 1.5" female**).

More information

- [Inserting probe into process and opening connection box \(page 27\)](#)

3.1.2 Installation preparations

Before starting the installation, check the following:

- Make sure that your installation site suits the Ex classification of the probe: see [Table 5 \(page 16\)](#).
- Review the hazardous area information in [Using MGP260 series probes in hazardous locations \(page 16\)](#) and make sure that the conditions for safe use are met.
- Review the wiring diagram ([Figure 13 \(page 30\)](#)) for power supply requirements: MGP260 probes require a dedicated 18 – 30 V DC power supply. Note that in addition to the power supply input for the probe, each analog output must be externally powered.
- Review the information in [Pressure compensation input options \(page 25\)](#) and make sure that you are using a pressure compensation input source that matches the settings of your MGP260 probe.
- Inspect the probe for any possible damage or dirt that could compromise the leak tightness of the device (for example, bent or punctured parts of the probe body, or dirt that prevents the connection box from closing fully).
- When selecting the cable glands and plugs for your application, make sure they are Ex compliant.



The NPT threads of the probe can have sharp edges. To avoid injury when touching the threads, wear protective gloves.



The probe can cause a foot injury if dropped. To avoid foot injuries, wear protective shoes.

3.1.3 Installation option: ball valve installation

[Figure 8 \(page 22\)](#) shows an example MGP260 ball valve installation. The figure highlights the correct wiring routes and shows the recommended installation depth and orientation.

An external pressure measurement instrument (item **5**) is shown as an example of pressure compensation input options: for a description of alternative options, see [Pressure compensation input options](#) (page 25).

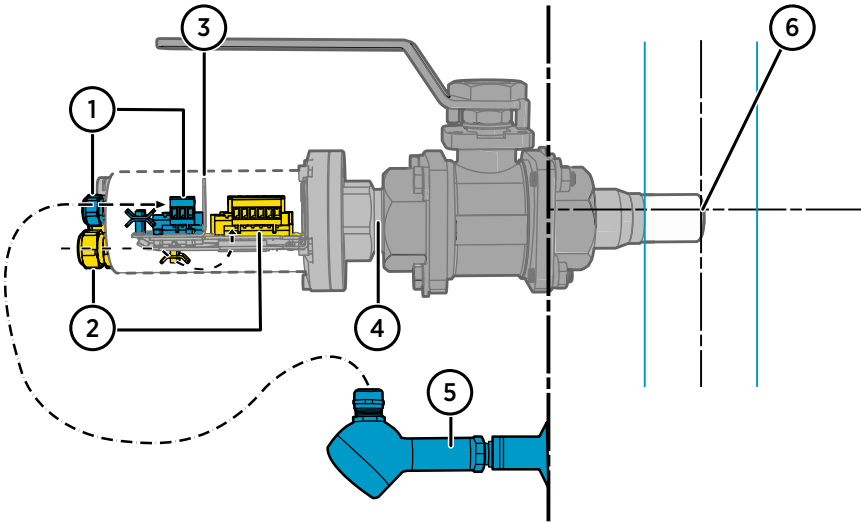


Figure 8 MGP260 installation example with wiring routes and recommended orientation and depth

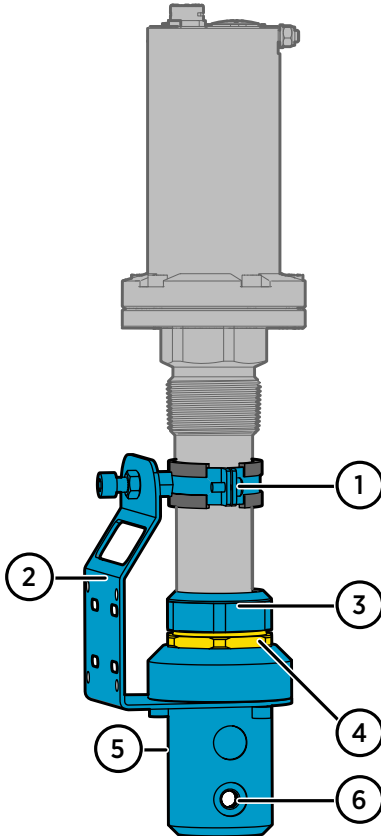
- 1 External pressure or temperature sensor input wiring (Ex ia): use the M16x1.5 lead-through and route the cable directly to the terminal.
- 2 Standard analog output, power supply input, and RS-485 communication wiring: use the M20x1.5 lead-throughs and route the cables to the terminals through the openings below the component board.
- 3 Metal barrier separating the intrinsically safe external sensor input terminals (optional, for environmental compensation input) from the analog output, power supply input, and RS-485 terminals on the component board.
- 4 1.5" male NPT thread on MGP260: **never install to any other thread type than 1.5" female NPT.**
- 5 Example pressure compensation input option: an external measurement instrument connected to the MGP260 Ex ia input terminals (item **1**).
- 6 For best results, install MGP260 horizontally and position the tip of the filter within 1/3 of the pipe's diameter from the pipe centerline. In smaller pipes, the installation depth can be adjusted by using an adapter (for example, a ball valve).



CAUTION! Always use a separate cable for the external pressure or temperature sensor input (Ex ia) wiring (1), and make sure the wiring remains separated from the terminals and wiring (2) on the other side of the metal barrier (3) on the component board.

More information

- [Recommended installation position on pipeline \(page 24\)](#)

3.1.4 Installation option: flow-through adapter installation

[Figure 9 \(page 23\)](#) shows MGP260 attached into the MGP260 flow-through adapter accessory (Vaisala order code: 258877). For instructions on attaching MGP260 to the flow-through adapter, see [Attaching flow-through adapter to MGP260 \(page 31\)](#).

For an example of connecting a pressure input instrument, see [Figure 8 \(page 22\)](#).

[Figure 9](#) MGP260 in flow-through adapter 258877

- 1 Clamp with 2 screws
- 2 Mounting plate (attach to mounting surface with screws or ties)
- 3 Probe gland tightening nut
- 4 Probe gland locknut: **do not turn**
- 5 Gas tube inlet port, G 1/8 (on the other side of the adapter)
- 6 Gas tube outlet port, G 1/8

More information

- [Attaching flow-through adapter to MGP260 \(page 31\)](#)
- [Flow-through adapter dimensions \(page 68\)](#)

3.1.5 MGP260 dimensions

Figure 10 (page 24) shows the MGP260 dimensions.

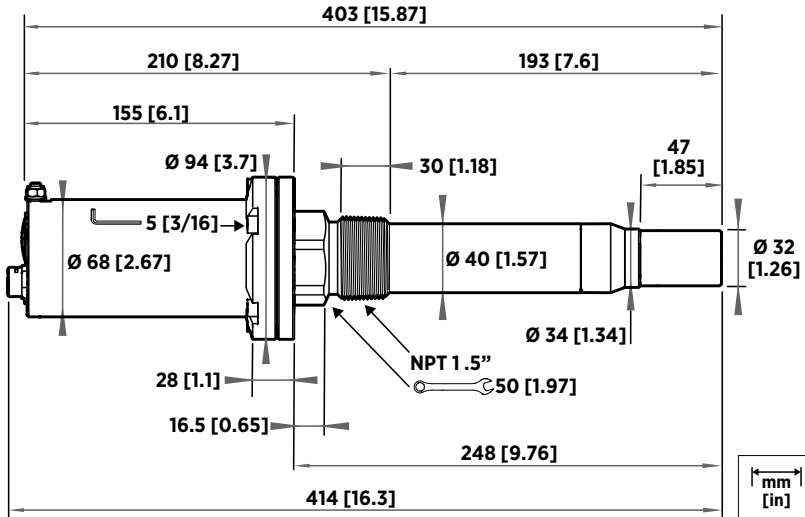


Figure 10 MGP260 dimensions in millimeters and inches

3.1.6 Recommended installation position on pipeline

Figure 11 (page 24) shows the recommended installation position for MGP260. Install the probe in a straight run of pipeline, ≥ 5 pipe diameters downstream of the closest bend or other feature affecting gas flow, and ≥ 2 pipe diameters upstream to the next bend or similar feature. For best results, use the orientation and installation depth shown in Figure 8 (page 22).

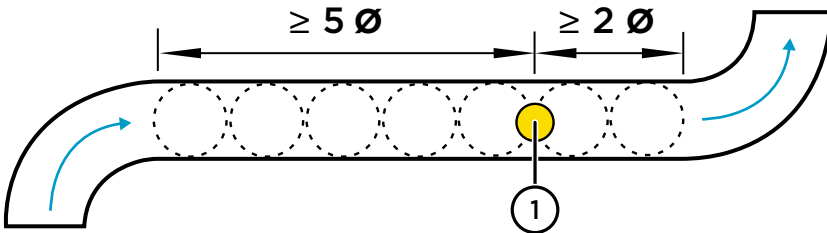


Figure 11 Recommended MGP260 installation position on pipeline

- 1 Recommended MGP260 probe installation position on pipeline.

3.1.7 Gas safety during installation



WARNING! While installing or uninstalling the device, there is a risk of flammable gas release or flame entrance.



WARNING! Exposure to hazardous gases (for example, hydrogen sulfide (H₂S)) is possible when installing or removing the probe from the process.

- Always follow local safety guidelines. Ensure that the work area is safe and meets local regulations (for example, related to ventilation and personal protective equipment).
- Use a personal gas detector to monitor the safety of the area you are working in.
- After installation, use a gas detector to ensure that process connections are leak-free.



CAUTION! To avoid compromising the leak tightness of the installation:

- Ensure that the thread type of the installation port is 1.5" female NPT. If unsure, verify the thread type with the 1.5" NPT thread test plug.
- Apply PTFE tape to the 1.5" male NPT thread of the probe as instructed in [Preparing probe for installation \(page 26\)](#), and make sure that the PTFE tape seal has not been damaged by rotating the probe open (counter-clockwise) in the installation port.

3.1.8 Pressure compensation input options

Accurate measurement readings require compensating for the pressure of the measured process. MGP260 series probes do not measure pressure, meaning that it is mandatory to set up a pressure compensation input source. The following pressure input options are available:

- Pressure measurement received from an external pressure measurement instrument through the Ex ia (4 – 20 mA) input terminals on the MGP260 component board. This is the recommended option: for an example, see [Figure 8 \(page 22\)](#). The wiring of the external pressure instrument input is shown in [Figure 13 \(page 30\)](#).



Note that the Ex ia input of the MGP260 series probes is internally powered and isolated. Compatible Ex ia pressure instruments can be directly connected to the input terminal.

- Pressure measurement received from a Modbus master through a serial line connection.
- If the process pressure is constant, a fixed pressure compensation value can be configured into use.

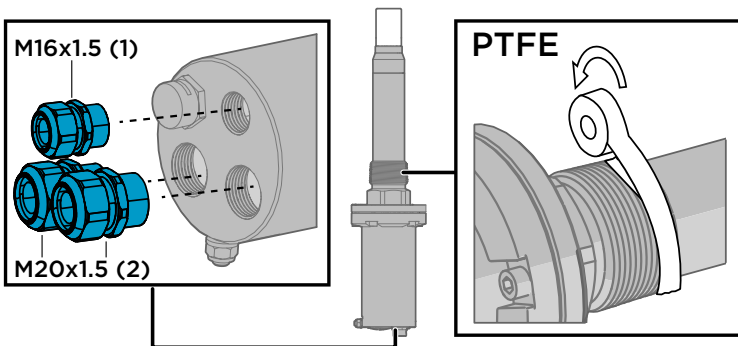
The pressure compensation input settings (for example, input type selection and input scaling) of MGP260 must match the pressure input source used in your application. For more information and configuration instructions on pressure compensation, see [Environmental compensation overview \(page 44\)](#).

3.2 Preparing probe for installation



The following tools are required when installing:

- Adjustable wrench (or a similar suitable tool) for turning the tightening nut
- 5 mm (3/16 in) Allen key for tightening flange
- 2.5 mm (3/32 in) Allen key for strain relief clamps
- Input and output cables for wiring
- Cable glands and plugs for unused lead-throughs
- Small slotted screwdriver for screw terminals
- PTFE tape (wide) for the probe threads



- ▶ 1. Attach cable glands (not provided by Vaisala) to the wiring lead-throughs as required. Note the cable gland requirements listed in [Guidelines for safe use in hazardous conditions \(page 17\)](#). For more information on lead-through options, see [Lead-through options and breather plug \(page 13\)](#).
 - Use an M16x1.5 gland for the optional external sensor input wiring (Ex ia).
 - Use 1 or 2 M20x1.5 glands for wiring the 4 ... 20 mA analog output, power supply input and RS-485 terminals (as required in your application).
 - Seal unused lead-throughs using Ex compliant seals.
2. Apply PTFE tape on the probe threads.
 - Inspect the threads and remove any possible dirt.
 - Wrap 2-3 revolutions of tape in the direction of the thread spiral, starting from the first thread. Keep the edge of tape parallel to the face of the thread while wrapping.
 - Do not tape beyond the edge of the threads or leave loose tape hanging.

3.3 Inserting probe into process and opening connection box

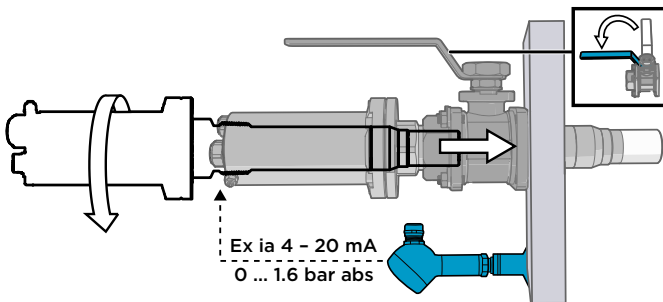


CAUTION! The correct thread type in which to install MGP260 is **1.5" female NPT**. Installing into any other thread type can damage the equipment and compromise the leak tightness of the connection. If unsure, verify the thread type with the NPT 1.5" thread test plug.

1. Insert the probe into the **1.5" female NPT** installation port and rotate it clockwise until it sits firmly in the port. Do not tighten the probe to full tightness, only enough to keep it securely in place when wiring.

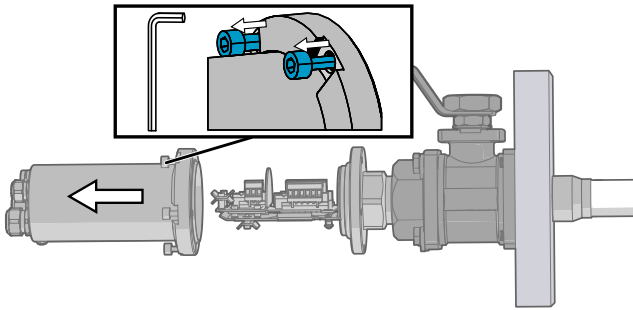



An external pressure measurement instrument is shown here as an example of pressure compensation input options: for a description of alternative options, see [Pressure compensation input options \(page 25\)](#).



CAUTION! Rotating the probe open (counter-clockwise) after it has been installed into the port can tear the PTFE tape. Only adjust the position of the probe in the installation port by tightening (rotating clockwise).

- Open the captive screws on the connection box flange with a 5 mm (3/16 in) Allen key. After loosening the captive screws, pull the connection box cover off to access the wiring terminals.



 If necessary, use a wrench to hold the probe in place by gripping the tightening nut.

- Pull the connection box cover open to access the wiring terminals.

3.4 Wiring

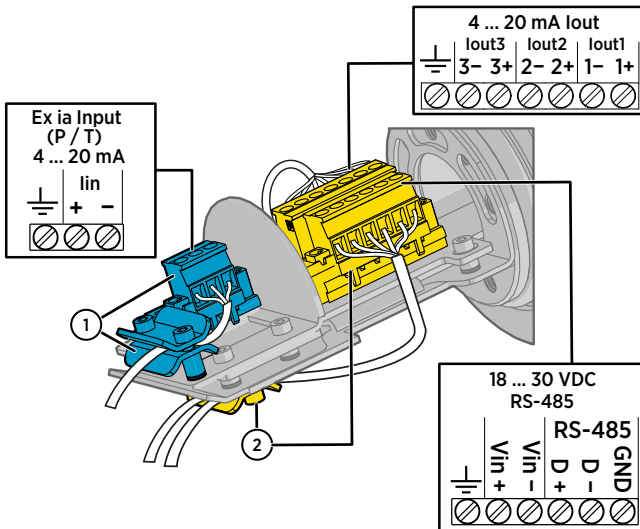


Figure 12 MGP260 screw terminal markings and cable routes



CAUTION! The Ex ia external sensor input wiring (1) must be kept separate from the analog output, power supply, and RS-485 wiring (2). Always use separate cables on each side of the metal barrier.



CAUTION! Connect only de-energized wires. Never switch on the power supply input before completing the wiring and closing the connection box.

- ▶ 1. Connect the input, output, and power supply wiring as required in your application. [Figure 13 \(page 30\)](#) shows an example of wiring the device when all inputs and outputs are used.
 - **1:** External pressure or temperature sensor input wiring (Ex ia): route the cable to the terminal through the M16x1.5 lead-through and through the strain relief cable clamp above the component board.
 - **2:** Analog output, power supply input and RS-485 wiring: route the cables to the terminals through the M20x1.5 lead-throughs (1 or 2) and through the strain relief cable clamp below the component board.
 - After connecting the wiring, adjust cable length and fasten the cables with the strain relief clamps.
2. See [Finalizing installation \(page 31\)](#) for instructions on attaching grounding to the probe grounding terminal.

3.4.1 Wiring diagram

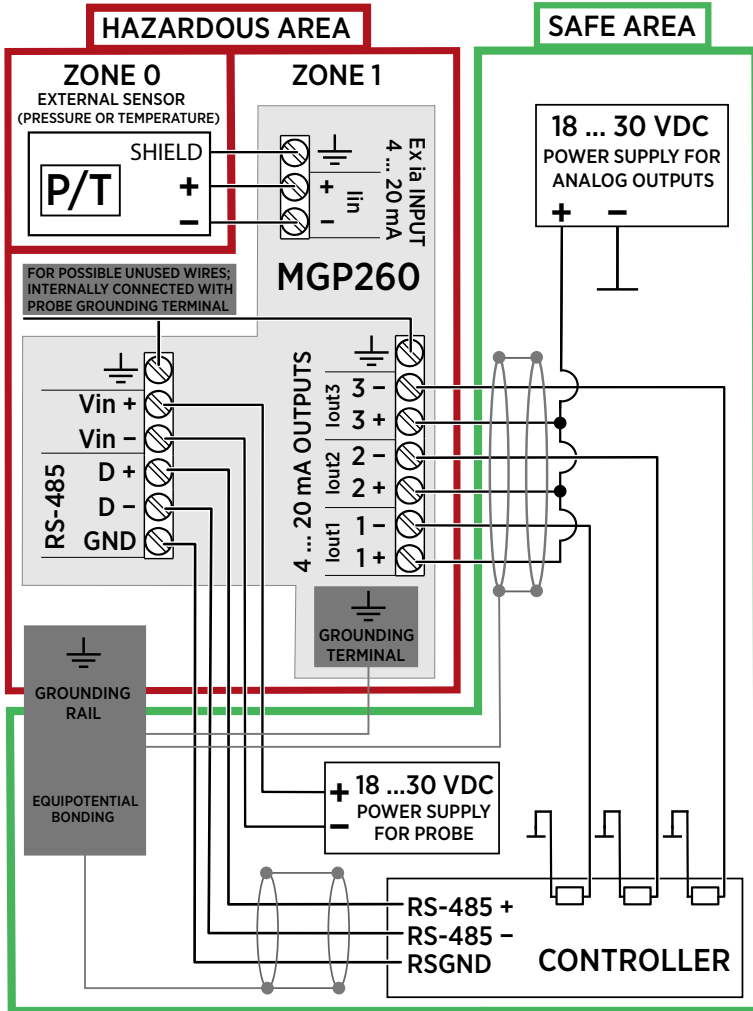
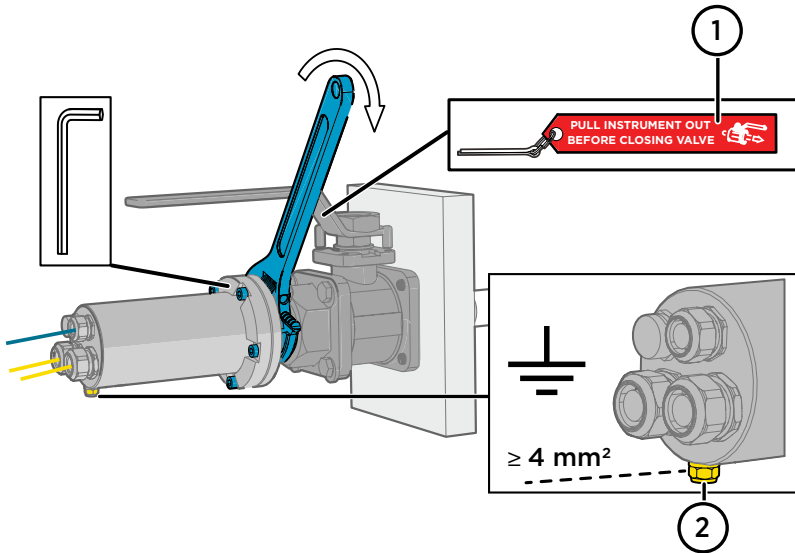


Figure 13 MGP260 wiring diagram

3.5 Finalizing installation



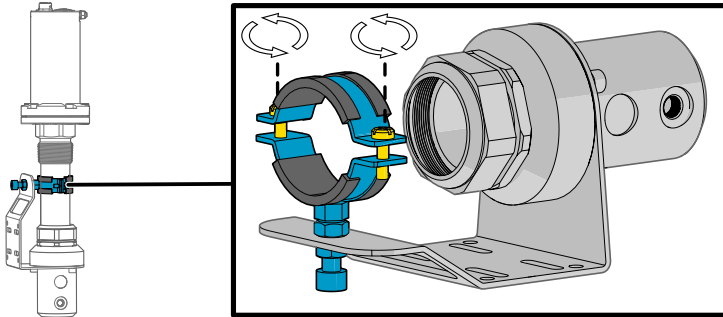
- 1 Safety pin: in ball valve installations, lock the handle of the ball valve in the open position with the safety pin to prevent damage caused by closing the valve with the instrument inside.
 - 2 Probe grounding terminal.
- ▶
1. Close the connection box and tighten the captive Allen screws on the connection box flange. Tighten the cable glands, and then tighten the probe to final tightness on the installation port by turning the tightening nut with a 50 mm (1.97 in) wrench.
 2. Connect the MGP260 grounding terminal to the grounding rail of the installation site with a $\geq 4 \text{ mm}^2$ wire.
 3. **Ball valve installations only:** lock the handle of the ball valve in the open position with the safety pin.
 4. When done, switch on the power supply input.

3.6 Attaching flow-through adapter to MGP260

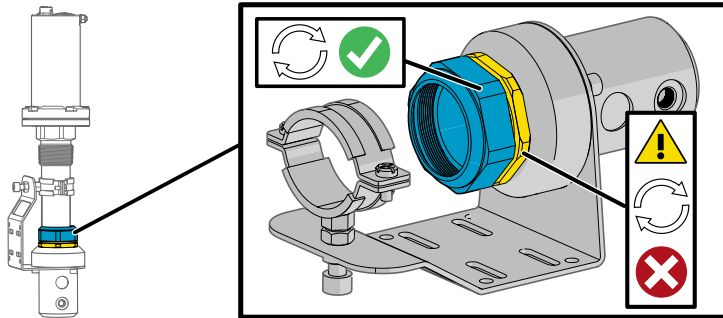
The MGP260 flow-through adapter 258877 is delivered assembled and is intended to be used with the probe installed in an upright position. For an overview of the flow-through adapter, see [Installation option: flow-through adapter installation \(page 23\)](#).

To attach the adapter to MGP260:

- ▶ 1. Loosen the 2 screws on the clamp.



2. Loosen the probe gland.



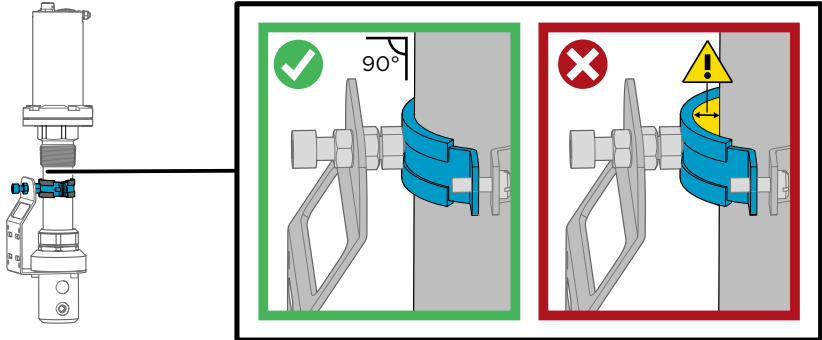
CAUTION! Only rotate the tightening nut of the probe gland. Never turn from the locknut of the probe gland (below the tightening nut). The threads of the locknut are glued onto the adapter with a sealant, and rotating the locknut will compromise the leak tightness of the adapter.

3. Insert the probe head into the adapter through the clamp and probe gland. Push the probe into the adapter until the shoulder of the probe head meets the slot inside the adapter and stops. The probe filter should cover both the inlet and outlet ports from the inside. Check the installation depth measurement as shown in [Figure 27 \(page 68\)](#).
4. Tighten the probe gland.
5. After tightening the probe gland, tighten the 2 screws on the clamp.



WARNING! A high process pressure can cause the probe to detach from the adapter if the clamp and gland have been left loose. Always fully tighten the clamp and probe gland.

- Attach the mounting plate to the mounting surface with screws or ties. For mounting plate dimensions, see [Figure 28 \(page 69\)](#).
- Check that the probe sits closely in the clamps after mounting. The mounting kit and the flow-through adapter have been aligned so that the probe sits in the adapter in a straight angle. A gap between the probe body and clamp indicates that the mounting alignment is incorrect and must be adjusted.



CAUTION! Ensure the adapter mounting does not pull the probe out of a straight angle. If the mounting pulls the probe to the side, the leak tightness of the gland O-ring can be affected.

- Connect the gas inlet tube to the upper port of the adapter and the gas outlet tube to the lower port. Adapter port size: G 1/8.

More information

- [Installation option: flow-through adapter installation \(page 23\)](#)
- [Flow-through adapter dimensions \(page 68\)](#)

4. Operating with Insight software

4.1 Vaisala Insight software

Vaisala Insight PC software is a configuration software for Indigo compatible probes. The supported operating systems are Windows 7 (64-bit), Windows 8.1 (64-bit), and Windows 10 (64-bit).

With the Insight software, you can:

- See device information and status.
- See real-time measurement data.
- Configure serial communication settings, analog input and output parameters and scaling, and environmental compensations.
- Calibrate and adjust the device.

Download Vaisala Insight software at www.vaisala.com/insight.

The probe can be connected to Vaisala Insight software using a Vaisala USB cable (item code 257295).

More information

- [Connecting to Insight software \(page 35\)](#)
- [Insight main view \(page 37\)](#)
- [Configuring Modbus communication settings with Insight \(page 39\)](#)
- [Configuring analog outputs with Insight \(page 41\)](#)
- [Configuring environmental compensations with Insight \(page 45\)](#)
- [Calibration and adjustment with Insight PC software \(page 53\)](#)

4.1.1 Basic and Advanced user modes

You can switch between the **Basic Mode** and **Advanced Mode** user modes with the selections in the **Settings** menu.

Certain functionalities are only available in **Advanced Mode**. The options enabled by switching to **Advanced Mode** are often intended for administrative users: set the user mode according to the requirements of the personnel that use the device.

More information

- [Insight main view \(page 37\)](#)

4.2 Connecting to Insight software



CAUTION! When connecting several devices at the same time, note that your computer may not be able to supply enough power through its USB ports. Use an externally powered USB hub that can supply >2 W for each port.



- Computer with Vaisala Insight software installed
- USB connection cable (no. 257295)
- Small flat head screwdriver for opening the screw terminal block screws



CAUTION! The Insight PC software connection cable must be used only outside the explosion hazardous area. Remove the probe from the process for configuration, and use only the Vaisala accessory PC connection cable 257295 to connect the probe to Insight.

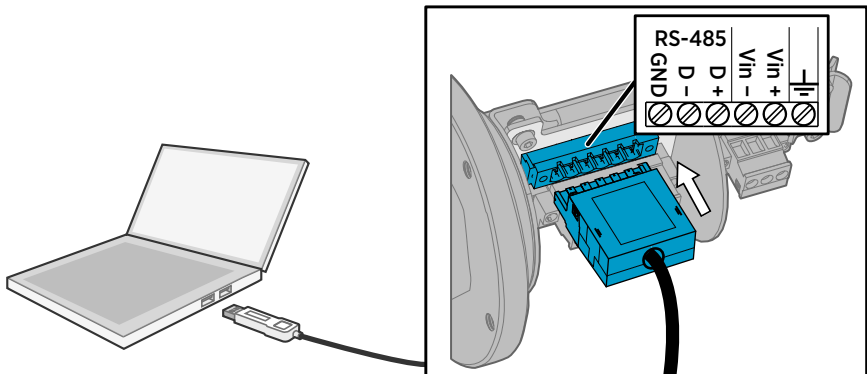


Figure 14 Connecting probe to Insight

- ▶ 1. Open the Insight software.
2. Connect the USB cable to a free USB port on the PC.
3. Open the MGP260 connection box.
4. Unscrew the 6-pin screw terminal block on the MGP260 component board and lift the block out.
5. Plug the USB cable into the open port as shown in the illustration.
6. Wait for Insight software to detect the probe.

More information

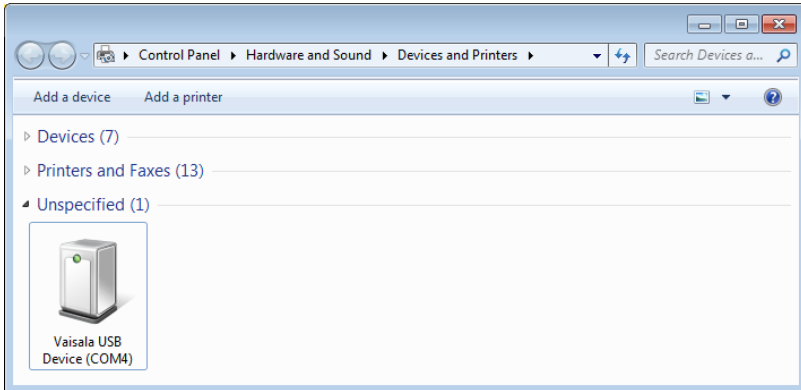
- Installing the driver for the USB service cable (page 36)
- Removing probe from process (page 60)

4.2.1 Installing the driver for the USB service cable



Only Windows® operating systems are supported by the driver of the USB service cable.

1. Connect the USB service cable to a USB port on your computer. Windows® detects the new device and installs the appropriate driver.
2. Open **Devices and Printers** from the Windows® Start menu. Use search to find it if necessary (search for "devices").
3. Locate the cable in the list of devices:
 - If the device is listed as **Vaisala USB Device** with a COM port number in brackets, the cable is ready for use. Take note of the COM port number for later use.
 - If the device is listed as **Vaisala USB Instrument Cable** without a COM port number listed, you must install the driver manually.



4. To install the driver manually:
 - a. Disconnect the USB service cable from the computer.
 - b. Download the Vaisala USB driver at www.vaisala.com/software (search and select the appropriate USB Instrument Driver Setup for your cable).
 - c. Run the USB driver installation program *Vaisala USB Device Driver Setup.exe*. Accept the installation defaults.
 - d. Go back to [step 1](#) and verify that the driver installation works as expected.

4.3 Insight main view

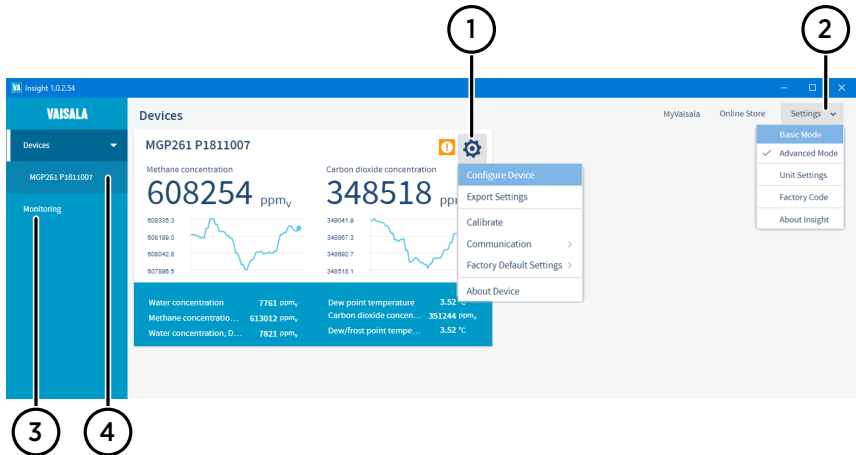



Figure 15 Insight main menu and settings

1 Select  to access Insight main menu.

- **Configure Device:** environmental compensation settings, analog input and output settings, Modbus configuration, error limits and general settings.
 - **Export Settings:** creates a text file export of the device settings.
 - **Calibrate:** options for calibrating and adjusting methane, carbon dioxide, and water vapor output, viewing adjustment data, and restoring factory adjustments.
 - **Communication:** contains a quick access selection for restarting the device.
 - **Factory default settings:** restores the probe back to default settings, clears any user adjustments, and restores the latest factory calibration.
 - **About Device:** general device information such as serial number and software version.
- 2 Select **Settings** to switch between the **Basic Mode** and **Advanced Mode** user modes, change the units of parameters (metric/non-metric), enter a factory code to access restricted functionalities, or view information about the Insight software.
- 3 **Monitoring** provides options for monitoring and recording selected parameters, and exporting the monitoring data as a CSV (comma-separated values) file.
- 4 Device information menu with the following tabs:
- **Measurements:** measurement graph view with parameter drop-down selection.
 - **Calibration information:** read-only information about the latest stored calibration.
 - **Diagnostics:** troubleshooting and administrative information about the device status. Also includes an option to export the device error log as a text file. When contacting Vaisala support, it is recommended to include an up-to-date export of the error log with the support request.

5. Modbus

The probe can be accessed using the Modbus serial communication protocol. The supported Modbus variant is Modbus RTU (Serial Modbus) over RS-485 interface.

The pre-configured default Modbus serial settings are presented in the following table. Modbus communication settings can also be configured using Vaisala Insight PC software.

For a description of MGP260 Modbus registers, see [Modbus registers \(page 72\)](#).

Table 8 Default Modbus serial communication settings

Description	Default value
Serial bit rate	19200
Parity	N
Number of data bits	8
Number of stop bits	2
Modbus device address	240

More information

- [Configuring Modbus communication settings with Insight \(page 39\)](#)
- [Modbus registers \(page 72\)](#)

5.1 Configuring Modbus communication settings with Insight

The screenshot shows the 'Configure Device' window for device MGP261 P1811007. The window is titled 'Configure Device' and 'In Advanced Mode'. On the left, there is a navigation menu with options: Compensation power-up defaults, Compensation setpoints, Measurement, Communication (selected), Analog output 1, Analog output 2, Analog output 3, and Analog input 1. The main area displays the following settings:

Address	240
Bit rate	19200 b/s
Parity, data, stop bits	N, 8, 1
Response delay	16 ms

At the bottom of the window, there are two buttons: 'Save' and 'Close'.

Figure 16 Modbus communication settings in Insight PC software

You can configure the following Modbus communication settings with Insight PC software:

- Device address
- Communication bit rate
- Parity, data bits, and stop bits
- Response delay

To configure the Modbus communication settings with Insight:

1. Connect to Insight and select > **Configure Device** > **Communication**.
2. Enter the communication values as needed: see the instructions in the Insight interface for allowed ranges and additional information.
3. Select **Save** to store the settings.

More information

- [Connecting to Insight software \(page 35\)](#)

6. Analog output configuration

6.1 Analog output configuration overview

MGP260 series probes have 3 scalable 4 ... 20 mA analog output channels. Each output has the following configuration options:

- Output parameter selection
- Output scale low end and high end
- Clipping and error limits
- Error output level

The configuration of the outputs (output parameter selection and scaling) is selected when ordering the probe, and can be changed with Modbus or Vaisala Insight PC software.

6.1.1 Default parameter configuration of output channels

By default, the analog output channels of MGP260 probes have been set to the parameter configuration shown in [Table 9 \(page 40\)](#).

Table 9

MGP260 analog output channel	Default parameter
Channel 1 (CH1)	Methane (CH ₄)
Channel 2 (CH2)	Carbon dioxide (CO ₂)
Channel 3 (CH3)	MGP261: water concentration (H ₂ O) MGP262: by default, CH3 output is disabled.

You can change the configuration of the analog outputs with Vaisala Insight PC software or Modbus. For instructions, see [Configuring analog outputs with Insight \(page 41\)](#) and [Configuring analog outputs with Modbus \(page 40\)](#).

6.2 Configuring analog outputs with Modbus

The Modbus implementation of MGP260 series probes includes configuration registers for analog output measurement parameter selection, scaling, and error output level.

For a description of MGP260 Modbus registers, see [Modbus registers \(page 72\)](#).

6.3 Configuring analog outputs with Insight

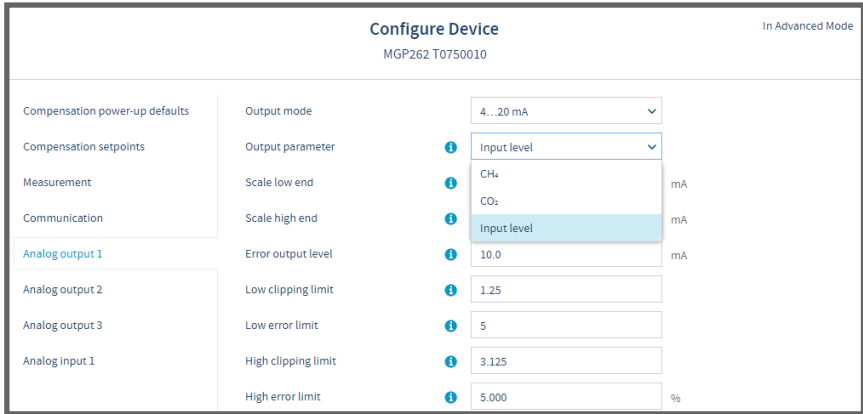


Figure 17 Analog output configuration options in Insight (MGP262 example)

You can configure the measurement parameter sent on each analog output, the scaling of the parameter, clipping and error limits, and the error output level. All 3 outputs have the same configuration options.

In addition to measurement parameter output, you can also configure an analog output to send the current value (mA) of the analog input channel.

- ▶ 1. Connect to Insight (see [Connecting to Insight software \(page 35\)](#)).
2. Select > **Configure Device**, and then one of the 3 analog outputs.
3. Select the measurement parameter that is sent on the output channel you are configuring, set the scaling for the output, define clipping and error limits, and set the output level that indicates an error.
4. Store the selections with **Save** and exit with **Close**.
5. Repeat the configuration for each output (analog outputs 1, 2, and 3) as required.

More information

- ▶ [Wet basis and dry basis measurement parameters \(page 42\)](#)

6.4 Changing units in Insight

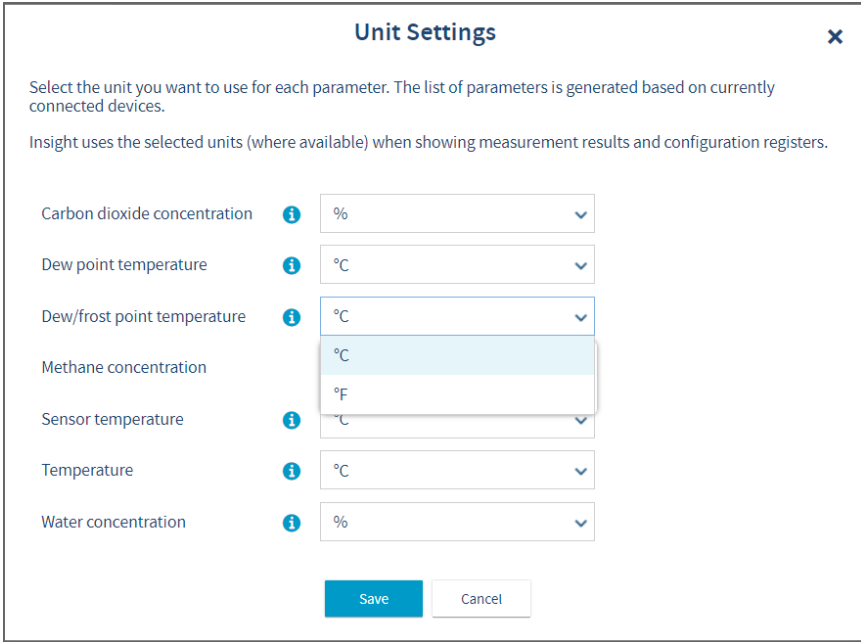


Figure 18 Unit selection in Insight

You can change the units of parameters (for example, metric or non-metric temperature) in the **Unit Settings** menu in Insight.

- ▶ 1. Connect to Insight (see [Connecting to Insight software \(page 35\)](#)).
2. In the **Settings** dropdown menu (upper right corner of the main view), select **Unit Settings**.
3. Select the units for the parameters and store the selections with **Save**.

6.5 Wet basis and dry basis measurement parameters

MGP261 methane, carbon dioxide, and water vapor measurements can be shown either as wet basis or dry basis values. The wet basis / dry basis measurement output selection is made when ordering the probe, and can be configured with Vaisala Insight PC software or Modbus.

The following formula shows the conversion between wet basis and dry basis values.

$$X(dry) = \frac{X(wet)}{100\% - H_2O}$$

where:

$X(dry)$ gas concentration (dry basis) (%)
 $X(wet)$ gas concentration (wet basis) (%)
 H_2O gas concentration (wet basis) (%)

7. Environmental compensation

7.1 Environmental compensation overview

When necessary, environmental compensations can be applied to improve the measurement accuracy (for example, to provide the probe with a real-time pressure reading from the measurement environment by using input from an external sensor).

The probe can compensate for the effects of the following parameters:

- Temperature (T)
- Pressure (P)

Environmental compensation parameters can be provided to the probe from the following sources:

- The internal temperature sensor of the probe can be used for temperature compensation.
- An external sensor can be connected to the probe (4 ... 20 mA analog input, Ex ia) to provide temperature or pressure compensation values.
- If the temperature and pressure values are known and remain constant, they can be entered as fixed setpoint values.
- If the probe is integrated in a system that measures either temperature or pressure, they can be updated to the probe continuously.

The method used for environmental compensation is configured on the order form when ordering the probe, and can later be updated using Vaisala Insight PC software or Modbus protocol.

7.1.1 Temperature compensation

MGP260 can measure the approximate temperature of the CARBOCAP® sensor for compensation, use a fixed setpoint value as the temperature compensation, or receive the temperature compensation value from an external temperature sensor.

Unless a dedicated temperature measurement is available and can be regularly updated to the probe, it is strongly recommended to use the probe's internal temperature compensation to ensure real-time accurate measurements. If the measurement is made in a constant temperature, the constant temperature can be set as the compensation value (fixed setpoint option).

7.1.2 Pressure compensation

The probe does not have on-board pressure measurement. You can either configure a fixed setpoint value that is used as the pressure compensation, or set the probe to receive the pressure compensation value from an external pressure sensor.



CAUTION! Note that the pressure compensation input must be set up in order to receive accurate measurements. For pressure input options, see [Pressure compensation input options \(page 25\)](#).

7.1.3 Compensation mode during calibration

When you start to calibrate the probe with Insight, the probe enters calibration mode, and the compensation mode is automatically switched to **Setpoint**. In this compensation mode, you must enter the conditions of your calibration environment as temporary setpoint values in the **Compensation setpoints** tab of the calibration menu.

When you exit calibration mode, the values you have entered in the **Compensation setpoints** tab remain in use as the current setpoint values, but the compensation mode switches back to the selection that was in place before starting calibration (either **Off**, **Setpoint**, **Measured**, or **External**).

More information

- [Configuring environmental compensations with Insight \(page 45\)](#)

7.2 Configuring environmental compensations with Modbus

The Modbus implementation of MGP260 includes configuration registers for pressure and temperature compensation setpoints. You can also configure the temperature and pressure compensation mode (**External**, **Setpoint**, **Measured** (temperature only), or **Off**).

For a description of MGP260 Modbus registers, see [Modbus registers \(page 72\)](#).

More information

- [Modbus \(page 38\)](#)
- [Modbus registers \(page 72\)](#)

7.3 Configuring environmental compensations with Insight

Using Insight, you can configure the following temperature and pressure compensation settings:

- Temperature or pressure compensation mode (select the source where the compensation value is received from)
- The setpoint values for temperature or pressure compensation
- The scaling of the analog input channel (**Analog input 1**) that is used to receive temperature or pressure values from an external sensor.

Figure 19 (page 46) describes the different environmental compensation selections in Insight.

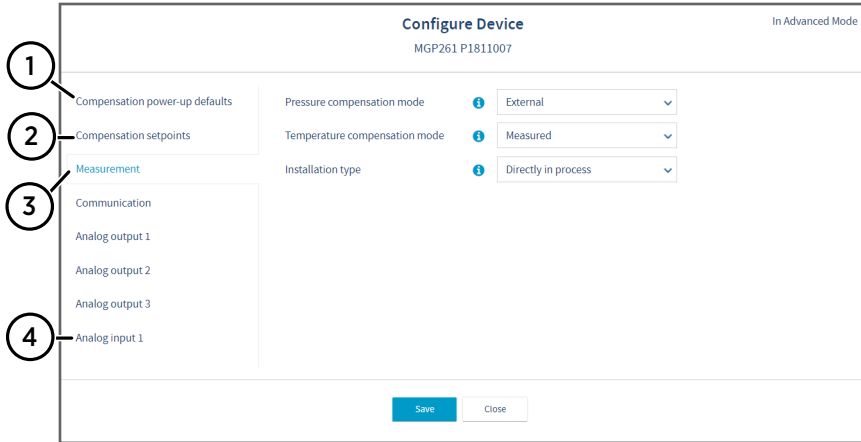


Figure 19 **Measurement** menu view in Insight PC software

- 1 **Compensation power-up defaults:** configure the setpoint compensation values that are taken into use at device reset. Used when the temperature or pressure compensation mode is set as **Setpoint**.
- 2 **Compensation setpoints:** configure the temporary setpoint compensation values that are in use while the device is powered on, but revert back to power-up defaults when the device is reset. Used when the temperature or pressure compensation mode is set as **Setpoint**.
- 3 **Measurement** (shown in figure): configure the pressure and temperature compensation modes (available options: **Setpoint**, **External**, **Measured** (temperature only), and **Off**).
- 4 **Analog input 1:** configure the input from the external pressure or temperature sensor (used when the pressure or temperature compensation mode is set as **External**).


- ▶ 1. Connect to Insight (see [Connecting to Insight software \(page 35\)](#)).
2. Select > **Configure Device**.
3. Select one of the compensation modes in the **Measurement** menu.
4. See the separate instructions for configuring the compensations in each compensation mode:
 - [Configuring setpoint values for compensations with Insight \(page 47\)](#)
 - [Using probe measurement as temperature compensation \(page 47\)](#)
 - [Using compensation received from external temperature or pressure sensor \(page 47\)](#)
 - [Configuring input from external analog pressure or temperature sensor \(page 48\)](#)

More information

- ▶ [Compensation mode during calibration \(page 45\)](#)

7.3.1 Configuring setpoint values for compensations with Insight

To configure a fixed setpoint value for pressure or temperature compensation in Insight:

- ▶ 1. Select  > **Configure Device**.
2. Open the **Measurement** menu, set the compensation mode of the compensation parameter (temperature, pressure, or both) as **Setpoint** from the mode selection dropdown list, and select **Save** when done.
3. Open the **Compensation setpoints** menu, enter the setpoint value in the text field, and select **Save** when done.




Note that the setpoint value you enter in the **Compensation setpoints** is temporary and resets back to the power-up default at device reset.

4. Optional: If you want to keep the setpoint value in use also after device reset, enter the same value in the **Compensation power-up defaults** menu and store the setting by selecting **Save**.

7.3.2 Using probe measurement as temperature compensation

To set the internal temperature measurement of the probe as the temperature compensation source:

- ▶ 1. Select  > **Configure Device**.
2. Open the **Measurement** menu.
3. Select **Measured** from the **Temperature compensation mode** dropdown list, and then select **Save**.


7.3.3 Using compensation received from external temperature or pressure sensor

If you have connected an external pressure or temperature sensor to the 4 ... 20 mA Ex ia analog input channel of MGP260 (see [Wiring \(page 28\)](#)), you can use the measurement received from the sensor as the environmental compensation.



You can receive the compensation value from an external sensor for only one parameter (temperature or pressure) at a time.

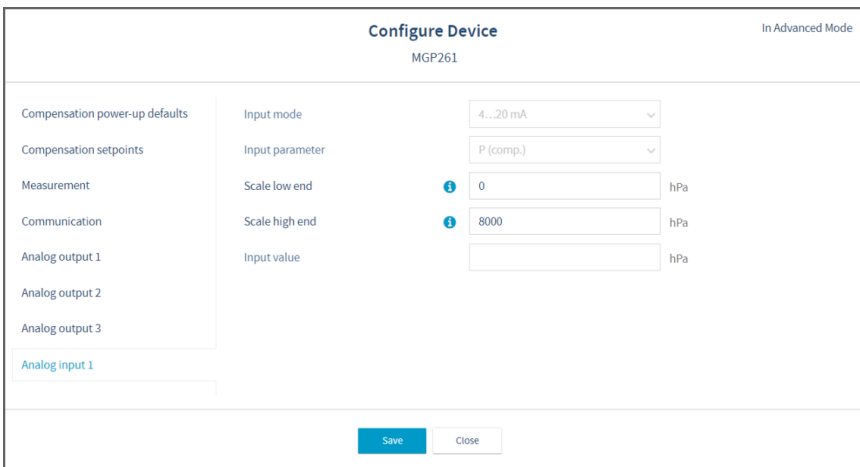
To use an external sensor for temperature or pressure compensation:

- ▶ 1. Select  > **Configure Device**.
2. Open the **Measurement** menu.
3. Select **External** from either the **Pressure compensation mode** or the **Temperature compensation mode** dropdown list, and then select **Save**.
4. Open the **Analog input 1** menu and configure the scaling of the external sensor input. See [Configuring input from external analog pressure or temperature sensor \(page 48\)](#).

7.3.4 Configuring input from external analog pressure or temperature sensor

When you set either the **Temperature compensation mode** or **Pressure compensation mode** to use measurement from an **External** sensor, you can configure the scale of the external sensor input in the **Analog input 1** menu.

The **Input mode** and **Input parameter** selections are set automatically based on the external compensation parameter selection.



The screenshot shows the 'Configure Device' interface for the MGP261 device, currently in 'Advanced Mode'. The interface is divided into a left sidebar with menu items and a main configuration area. The 'Analog input 1' menu item is selected and highlighted in blue. The main configuration area for 'Analog input 1' includes the following fields:

- Input mode:** A dropdown menu set to '4...20 mA'.
- Input parameter:** A dropdown menu set to 'P (comp.)'.
- Scale low end:** A text input field containing '0', with a unit label 'hPa' to its right. A blue information icon is to the left of the field.
- Scale high end:** A text input field containing '8000', with a unit label 'hPa' to its right. A blue information icon is to the left of the field.
- Input value:** An empty text input field with a unit label 'hPa' to its right.

At the bottom of the configuration area, there are two buttons: 'Save' (in a blue box) and 'Close' (in a white box with a grey border).

Figure 20 Analog input 1 configuration menu in Insight

- ▶ 1. In the **Measurement** menu, set either the pressure or temperature compensation mode as **External** to use input from a connected sensor. See [Using compensation received from external temperature or pressure sensor \(page 47\)](#).



You can receive the compensation value from an external sensor for only one parameter (temperature or pressure) at a time.

2. Store the setting with **Save**.
3. In the **Analog input 1** menu, enter the scaling for the temperature or pressure input from the external sensor.
4. Store the setting with **Save**.

7.3.5 Sending analog input channel value from an analog output channel

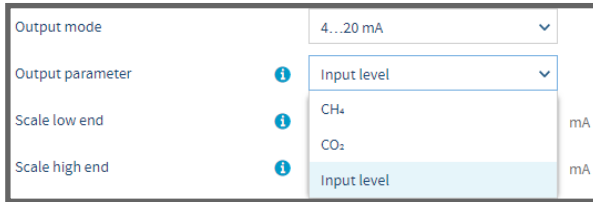


Figure 21 Input level selection in Insight analog output configuration options (MGP262 example)

In addition to measurement parameter output, you can also configure an analog output to send the current value (mA) of the analog input channel.

- ▶ 1. Connect to Insight (see [Connecting to Insight software \(page 35\)](#)).
2. Select **⚙️ > Configure Device**, and then one of the 3 analog outputs.
3. Select **Input level** from the **Output parameter** dropdown.
4. Store the selection with **Save** and exit with **Close**.
5. Repeat the configuration for each output (analog outputs 1, 2, and 3) as required.

8. Calibration

8.1 Calibration recommendations

The recommended calibration interval for MGP260 probes is 1 year.

To reach the best calibration and adjustment accuracy, it is recommended to use the traceable calibration and adjustment services provided by Vaisala. For an overview of the available calibration options, see [Calibration overview \(page 50\)](#).

8.2 Calibration overview

The methane (CH₄) and carbon dioxide (CO₂) measurements of MGP260 can be calibrated and adjusted using gas references with known values. You can also calibrate and adjust the probe's internal temperature measurement (used for environmental compensation only). The H₂O measurement can only be adjusted at the low end (simultaneously with CH₄ and CO₂ when a zero point adjustment is made).



Note that H₂O selections apply only to MGP261. When calibrating and adjusting MGP262, the Insight interface options include only MGP262 parameters.

Carrying out calibrations and adjustments requires connecting MGP260 to Vaisala Insight PC software (requires Vaisala USB cable 257295). For instructions on connecting the probe to Insight, see [Connecting to Insight software \(page 35\)](#).

To feed reference gases to MGP260 in a controlled manner when calibrating and adjusting, use a flow-through adapter. An MGP260 flow-through adapter is available as an optional accessory: for more information, see [Flow-through adapter \(page 51\)](#).



WARNING! Before removing the probe from the process for calibration and adjustment, review the instructions in [Removing probe from process \(page 60\)](#).

The following calibration and adjustment options are available when the probe is connected to Vaisala Insight PC software:

- Methane (CH₄) and carbon dioxide (CO₂) measurement calibration and adjustment (1-point or 2-point adjustments).
- Temperature measurement adjustment (probe's internal sensor measurement used only for environmental compensation).
- Zero point adjustment for all gas measurement parameters (CH₄, CO₂, and H₂O: adjusts all parameters simultaneously). Zero point adjustment replaces the low end adjustment of all gas parameters in 2-point adjustments.
- Reset to factory adjustment (given separately for each parameter).



The accuracy of field calibration and adjustment is dependent on a number of factors such as sufficient stabilization time, calibration setup conditions, and reference quality. To ensure fully accurate calibration and adjustment results, use the traceable calibration and adjustment services provided by Vaisala.

More information

- [Connecting to Insight software \(page 35\)](#)
- [Flow-through adapter \(page 51\)](#)
- [Removing probe from process \(page 60\)](#)

8.2.1 Compensation mode during calibration

When you start to calibrate the probe with Insight, the probe enters calibration mode, and the compensation mode is automatically switched to **Setpoint**. In this compensation mode, you must enter the conditions of your calibration environment as temporary setpoint values in the **Compensation setpoints** tab of the calibration menu.

When you exit calibration mode, the values you have entered in the **Compensation setpoints** tab remain in use as the current setpoint values, but the compensation mode switches back to the selection that was in place before starting calibration (either **Off**, **Setpoint**, **Measured**, or **External**).

More information

- [Configuring environmental compensations with Insight \(page 45\)](#)

8.2.2 Flow-through adapter

The MGP260 flow-through adapter (Vaisala order code: 258877) is used in sampling line installations and field calibration and adjustment to achieve a controlled flow of gas to the probe.

The flow-through adapter is delivered assembled with a mounting clamp, mounting plate, and a gland for attaching the probe to the adapter. [Figure 22 \(page 52\)](#) shows the main parts of the flow-through adapter and mounting kit.

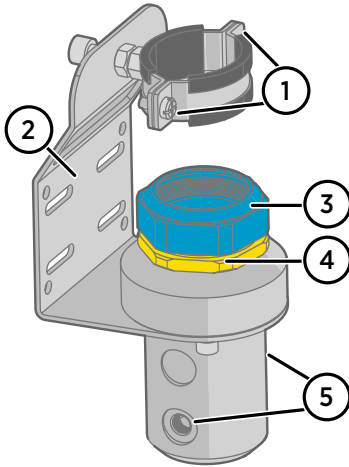


Figure 22 Flow-through adapter 258877

- 1 Probe clamp (industrial M8, 38 - 44 mm, insulated) and tightening screws
- 2 Mounting plate for screw or cable mounting
- 3 Probe gland (M50/9x1.5, 37 - 42 mm) tightening nut for inserting and removing the probe: **only open and tighten from the tightening nut**
- 4 Probe gland locknut: locked to the threads with Loctite threadlocker, **do not rotate**
- 5 Gas tube inlet and outlet ports (G 1/8) on opposite sides of the adapter body



For instructions on attaching the flow-through adapter, see [Attaching flow-through adapter to MGP260 \(page 31\)](#).

More information

- [Installation option: flow-through adapter installation \(page 23\)](#)
- [Attaching flow-through adapter to MGP260 \(page 31\)](#)
- [Flow-through adapter dimensions \(page 68\)](#)

8.3 Calibration and adjustment with Insight PC software

Figure 19 (page 46) describes the calibration and adjustment selections in Insight.

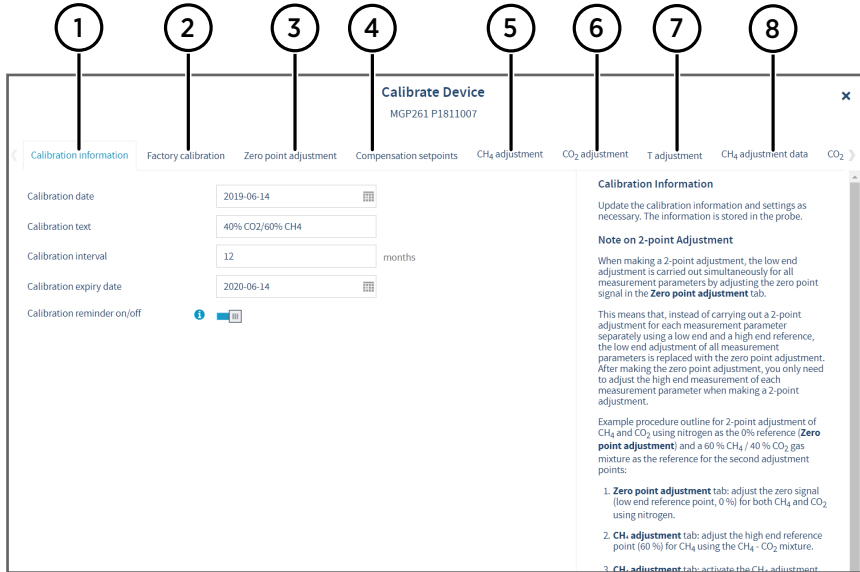



Figure 23 Calibration menu view in Insight PC software

- 1 Calibration information: enter information about the latest calibration (date, text description) in this tab. Also includes the calibration interval and calibration reminder selections.
- 2 Factory calibration: shows read-only information about the factory calibration.
- 3 Zero point adjustment: adjusts the zero point signal (simultaneously for all gas measurement parameters). This adjustment replaces the low end adjustment in 2-point adjustments.
- 4 Compensation setpoint configuration for the calibration and adjustment environment.
- 5 Methane (CH₄) measurement adjustment tab. In 2-point adjustments, use this tab for high end adjustment and the zero point adjustment for low end adjustment.
- 6 Carbon dioxide (CO₂) measurement adjustment tab. In 2-point adjustments, use this tab for high end adjustment and the zero point adjustment for low end adjustment.
- 7 Temperature measurement adjustment tab.
- 8 Adjustment data tabs show the latest stored adjustment for each parameter. Use the scroll arrows next to the menu tabs on the left and right edge of the view to view all tabs.

- ▶ 1. Connect to Insight (see [Connecting to Insight software \(page 35\)](#)),

2. Select  > **Calibrate** > **Yes**.
3. Select one of the adjustment options in the **Calibrate** menu and see the separate instructions for each option.

8.3.1 Example: 2-point adjustment with zero point adjustment

When making a 2-point adjustment, the low end adjustment is carried out simultaneously for all measurement parameters by adjusting the zero point signal in the **Zero point adjustment** tab.

This means that, instead of carrying out a 2-point adjustment for each measurement parameter separately using a low end and a high end reference, the low end adjustment of all measurement parameters is replaced with the zero point adjustment. After making the zero point adjustment, you only need to adjust the high end measurement of each measurement parameter when making a 2-point adjustment.

Example procedure outline for 2-point adjustment of CH₄ and CO₂ using nitrogen as the 0% reference (**Zero point adjustment**) and a 60 % CH₄ / 40 % CO₂ gas mixture as the reference for the second adjustment points:

- ▶ 1. **Zero point adjustment** tab: adjust the zero signal (low end reference point, 0 %) for both CH₄ and CO₂ using nitrogen.
2. **CH₄ adjustment** tab: adjust the high end reference point (60 %) for CH₄ using the CH₄ - CO₂ mixture.
3. **CH₄ adjustment** tab: activate the CH₄ adjustment.
4. **CO₂ adjustment** tab: adjust the high end reference point (40 %) for CO₂ using the CH₄ - CO₂ mixture.
5. **CO₂ adjustment** tab: activate the CO₂ adjustment.



The reference gas concentration examples presented here apply to MGP261. When calibrating and adjusting MGP262, refer to the Insight PC software help text instructions for MGP262-specific information.

8.3.2 Zero point adjustment

The zero point adjustment adjusts the zero output signal of the probe and applies simultaneously to all gas measurement parameters (CH₄, CO₂, and H₂O). This means that, instead of carrying out a 2-point adjustment for each gas measurement parameter separately using a low end and high end reference, the low end adjustment of all gas measurement parameters is replaced with the zero point adjustment.

After carrying out the zero point adjustment, you only need to adjust the high end measurement of each gas measurement parameter when carrying out a 2-point adjustment.



Always use nitrogen as the reference gas for the zero point adjustment.

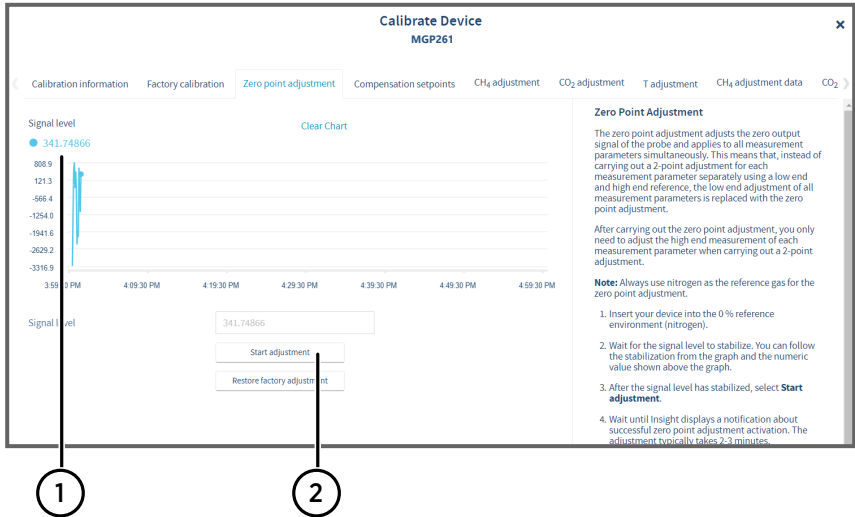


Figure 24 Zero point adjustment tab

- 1 Follow the signal stabilization from the graph and the numeric value shown above the graph.
- 2 After the signal has stabilized, select **Start adjustment** and wait for the notification message about successful zero point adjustment activation. The adjustment is saved automatically.

- ▶ 1. Insert your device into the 0 % reference environment (nitrogen).
- 2. Wait for the signal level to stabilize. You can follow the stabilization from the graph and the numeric value shown above the graph.
- 3. After the signal level has stabilized, select **Start adjustment**.
- 4. Wait until Insight displays a notification about successful zero point adjustment activation. The adjustment typically takes 2-3 minutes.
- 5. The zero point adjustment is saved automatically after it has been successfully activated. To remove an incorrect adjustment, select **Restore factory adjustment**.
- 6. For a 2-point adjustment, carry out the high end adjustments for each measurement parameter in the separate adjustment tabs using appropriate references (for example, a 60 % CH₄ / 40 % CO₂ gas mixture).



The reference gas concentration examples presented here apply to MGP261. When calibrating and adjusting MGP262, refer to the Insight PC software help text instructions for MGP262-specific information.

8.3.3 Calibrating and adjusting methane (CH₄) measurement

Prepare the calibration gases required to create the reference condition for the adjustment, and the setup for controlled calibration gas feed to the probe.



When making a 2-point adjustment, first carry out the zero signal adjustment in the **Zero point adjustment** tab. The zero signal adjustment replaces the low end adjustment in a 2-point adjustment.

- ▶ 1. Reset any possible existing adjustments with the **Restore factory adjustment** button. This prevents earlier adjustments from having an effect on the current adjustment.
2. Insert your device in the reference environment.
3. Before starting the adjustment, make sure that your environmental compensation settings are correct for your present environment. You can review and change the settings for pressure and temperature compensation setpoints in the **Compensation setpoints** tab.
4. Wait for the measurement (shown in the graph) to stabilize fully.
5. When the measurement has stabilized, click the **Reference value, point 1** text box and enter the known CH₄ level of the calibration point. Press **ENTER** or click outside the text box when done.
6. Check that the measured value for point 1 is automatically inserted.
7. Check the difference between the reference and the measured value. Very large differences may be due to insufficient stabilization time or unsuitable calibration setup.
 - a. If you want to apply the adjustment you have made, select **Activate adjustment**.
 - b. To exit without taking the adjustment in use, select **Close**.
8. After completing the adjustment, update the information in the **Calibration information** tab.

8.3.4 Calibrating and adjusting carbon dioxide (CO₂) measurement

Prepare the calibration gases required to create the reference condition for the adjustment, and the setup for controlled calibration gas feed to the probe.



When making a 2-point adjustment, first carry out the zero signal adjustment in the **Zero point adjustment** tab. The zero signal adjustment replaces the low end adjustment in a 2-point adjustment.

- ▶ 1. Reset any possible existing adjustments with the **Restore factory adjustment** button. This prevents earlier adjustments from having an effect on the current adjustment.
2. Insert your device in the reference environment.
3. Before starting the adjustment, make sure that your environmental compensation settings are correct for your present environment. You can review and change the settings for pressure and temperature compensation setpoints in the **Compensation setpoints** tab.
4. Wait for the measurement (shown in the graph) to stabilize fully.
5. When the measurement has stabilized, click the **Reference value, point 1** text box and enter the known CO₂ level of the calibration point. Press **ENTER** or click outside the text box when done.
6. Check that the measured value for point 1 is automatically inserted.
7. Check the difference between the reference and the measured value. Very large differences may be due to insufficient stabilization time or unsuitable calibration setup.
 - a. If you want to apply the adjustment you have made, select **Activate adjustment**.
 - b. To exit without taking the adjustment in use, select **Close**.
8. After completing the adjustment, update the information in the **Calibration information** tab.

8.3.5 Calibrating and adjusting temperature measurement

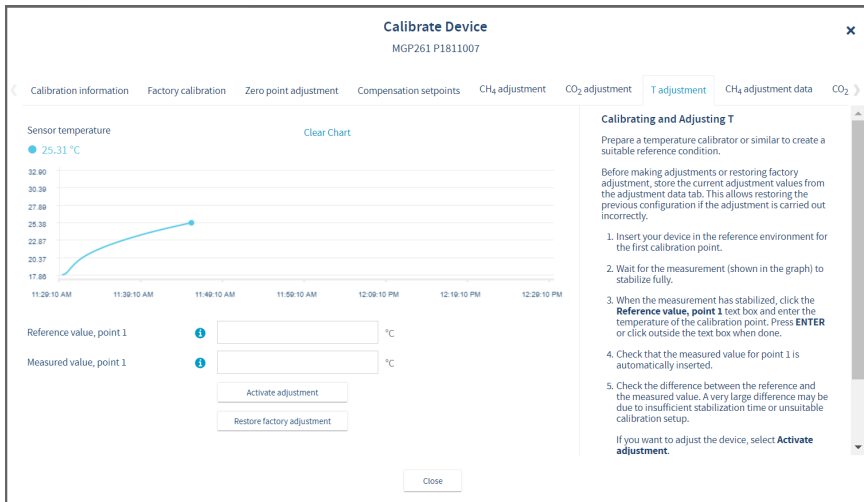


Figure 25 Temperature adjustment view in Insight

Prepare a temperature calibrator or similar to create a suitable reference condition.



You can adjust temperature either in nitrogen or in air.

- ▶ 1. Insert your device in the reference environment.
2. Wait for the measurement (shown in the graph) to stabilize fully.
3. When the measurement has stabilized, click the **Reference value, point 1** text box and enter the known temperature of the calibration point. Press **ENTER** or click outside the text box when done.
4. Check that the measured value for point 1 is automatically inserted.
5. Check the difference between the reference and the measured value. Very large differences may be due to insufficient stabilization time or unsuitable calibration setup.
 - a. If you want to apply the adjustment you have made, select **Activate adjustment**.
 - b. To exit without taking the adjustment in use, select **Close**.
6. After completing the adjustment, update the information in the **Calibration information** tab.

9. Maintenance

9.1 Maintenance overview

If the probe requires maintenance due to damage or malfunction (for example, if the probe is dropped or bent), contact Vaisala technical support for instructions.



CAUTION! The probe filter is the only user-replaceable part in MGP260 probes. Do not carry out maintenance or repairs without contacting Vaisala technical support.



CAUTION! If you suspect that the probe may have been damaged, for example, after being dropped, always inspect the condition of the sensor package window. If the window is visibly broken, the probe must not be used.

If the probe needs to be sent to Vaisala for maintenance or repairs, see the following instructions:

- [Removing probe from process \(page 60\)](#)
- [Cleaning the probe \(page 61\)](#)
- [Sending probe to Vaisala \(page 62\)](#)

The recommended calibration interval for MGP260 probes is 1 year. For information on calibration and adjustment options, see [Calibration overview \(page 50\)](#).

9.2 Filter change

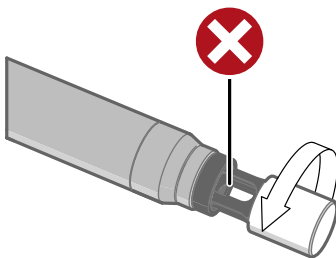


Figure 26 Replacing filter

Replacement filters are available from Vaisala (order code: DRW249919SP). Remove the filter by rotating counter-clockwise.



CAUTION! Do not touch the optical surfaces inside the measurement cuvette when replacing the filter.



The probe filter is the only user-replaceable part in MGP260. For other maintenance requirements, contact Vaisala.

9.3 Removing probe from process



WARNING! When installed in situ, the surface of the probe is in direct contact with the biogas process. Bacteria, viruses, or fungi can be carried from the process on the probe surface.

- Always wear appropriate personal protective equipment when handling items that have been in contact with the biogas process. Follow local regulations and site-specific guidelines.
- Ensure the area where you place the probe after removing it from the process is suitable for working with items that have been in contact with the biogas process.



WARNING! While installing or uninstalling the device, there is a risk of flammable gas release or flame entrance.



WARNING! Exposure to hazardous gases (for example, hydrogen sulfide (H₂S)) is possible when installing or removing MGP260 from the process.

- Always follow local safety guidelines. Ensure that the work area is safe and meets local regulations (for example, related to ventilation and personal protective equipment).
- Use a personal gas detector to monitor the safety of the area you are working in.
- After installing or removing the probe, use a gas detector to ensure that process connections are leak-free.

- ▶ 1. Prepare an area where you can place the probe after removing it from the process.
 - a. Clear other items and equipment away from the area.
 - b. Cover surfaces around the area with protective material as necessary.
2. Switch off the probe power supply input.

3. If necessary, open the connection box and remove the wiring cables. See [Inserting probe into process and opening connection box \(page 27\)](#).
 - a. Hold the probe in place by gripping the tightening nut with a wrench. Then open the connection box by turning the cover counter-clockwise with the connection box key.
 - b. Loosen the cable glands and pull the connection box open.
 - c. Open the screw terminals inside the connection box with a small screwdriver and remove the wiring cables.
 - d. Close the connection box.
4. Rotate the tightening nut of the probe counter-clockwise with a wrench to release the probe. See [Inserting probe into process and opening connection box \(page 27\)](#).



CAUTION! The PTFE tape seal on the probe threads will tear when you rotate the probe open, and must be replaced when reinstalling the probe.

5. Pull the probe out of the process connection and place it on the area you prepared for handling the probe. Hold the probe from the connection box when handling it, and avoid touching the parts that have been inserted into the process.



Use a cloth or similar to prevent dripping when pulling out the probe.

6. **Ball valve installations only:** remove the safety pin that locks the handle of the ball valve in the open position and close the ball valve.
7. Clean the probe as instructed in [Cleaning the probe \(page 61\)](#) and move the probe to a clean area for further handling.
8. When reinstalling the probe, repeat the installation steps starting from [Preparing probe for installation \(page 26\)](#).

9.4 Cleaning the probe



WARNING! Removing the probe from the process can expose you to biological and chemical hazards due to the nature of the biogas process environment. Review the warnings and instructions listed in [Removing probe from process \(page 60\)](#).



- Moist cloth for wiping the probe
- Running water
- Standard cleaning agents can be used in cleaning

- ▶ 1. Prepare an area for cleaning the probe.
2. To remove the probe from process, follow the instructions in [Removing probe from process \(page 60\)](#).
3. Clean the probe with running water and a cloth. Standard cleaning agents can be used.



CAUTION! Do not clean the probe with a pressure washer.



CAUTION! Do not immerse the probe in liquid to clean it.

4. To install the probe back into the process after cleaning, follow the installation instructions starting from [Preparing probe for installation \(page 26\)](#).
5. If you are sending the probe to Vaisala for maintenance, allow it to dry fully before packing it. See the instructions in [Sending probe to Vaisala \(page 62\)](#).

9.5 Sending probe to Vaisala

If you need to return the probe for maintenance or replacement, contact Vaisala technical support.



CAUTION! Do not ship the probe to Vaisala without contacting technical support. Technical support will provide you with return authorization and up-to-date shipping instructions.

- ▶ 1. Read the warranty information.
2. Contact Vaisala technical support and request a Return Material Authorization (RMA) and shipping instructions.



For information on product warranties, technical support, and repair services, see www.vaisala.com/support.



Always request the RMA before returning any material to Vaisala.

3. Follow the return instructions received from Vaisala technical support. When packing the probe for shipping, ensure that you use sufficient padding, the probe has dried completely after cleaning, and that the probe is tightly sealed in a plastic bag.

10. Technical data

10.1 Specifications

MGP261 measurement performance

Table 10 Measurement performance

Property	Methane CH ₄	Carbon dioxide CO ₂	Water vapor H ₂ O
Sensor	CARBOCAP®	CARBOCAP®	CARBOCAP®
Measurement unit	Volume-%	Volume-%	Volume-%, dew point °C
Measurement range	0 ... 100 vol-%	0 ... 100 vol-%	0 ... 25 vol-%, -10 ... +60 °C (14 ... +140 °F)
Accuracy specification at 25 °C (+77 °F) and 1013 mbar including non-linearity, calibration uncertainty, and repeatability; temperature and pressure compensated			
Accuracy at +25 °C (+77 °F) and 1013 mbar ¹⁾	<ul style="list-style-type: none"> • 0 ... 40 vol-%: ±2 vol-% • 40 ... 70 vol-%: ±1 vol-% • 70 ... 100 vol-%: ±2 vol-% 	<ul style="list-style-type: none"> • 0 ... 30 vol-%: ±2 vol-% • 30 ... 50 vol-%: ±1 vol-% • 50 ... 100 vol-%: ±2 vol-% 	0 ... 25 vol-%: ±0.5 vol-%
Repeatability	±0.5 vol-% at 60 vol-%	±0.3 vol-% at 40 vol-%	±0.1 vol-% at 10 vol-%
Temperature dependence	Compensated, 0 ... 100 vol-%: ±0.1 % of reading/°C	Compensated, 0 ... 100 vol-%: ±0.1 % of reading/°C	Compensated, 0 ... 25 vol-%: ±0.1 % of reading/°C
	Uncompensated, 0 ... 100 vol-%: -0.9 % of reading/°C	Uncompensated, 0 ... 100 vol-%: -0.9 % of reading/°C	Uncompensated, 0 ... 25 vol-%: -0.4 % of reading/°C
Pressure dependence	Compensated, 0 ... 100 vol-%: ±0.015 % of reading/mbar	Compensated, 0 ... 100 vol-%: ±0.01 % of reading/mbar	Compensated, 0 ... 25 vol-%: ±0.06 % of reading/mbar
	Uncompensated, 0 ... 100 vol-%: +0.2 % of reading/mbar	Uncompensated, 0 ... 100 vol-%: +0.2 % of reading/mbar	Uncompensated, 0 ... 25 vol-%: +0.2 % of reading/mbar
Long-term stability	±2 vol-%/year	±2 vol-%/year	±2 vol-%/year
Start-up time ²⁾	30 s		

Property	Methane CH ₄	Carbon dioxide CO ₂	Water vapor H ₂ O
Warm-up time ³⁾			2 min ⁴⁾
Response time (T ₉₀)			90 s ⁵⁾
Response time with flow-through adapter			90 s at ≥ 0.5 l/min ⁵⁾ (recommended: 0.5 ... 1 l/min)

- 1) Excluding cross-interferences to other gases.
- 2) Time to first reading
- 3) Time to specified accuracy
- 4) At +20 °C (+68 °F) ambient temperature
- 5) With standard PTFE filter

MGP262 measurement performance

Table 11 Measurement performance

Property	Methane CH ₄	Carbon dioxide CO ₂
Sensor	CARBOCAP®	CARBOCAP®
Measurement unit		Volume-%
Measurement range	0 ... 5 vol-%	0 ... 100 vol-%
Accuracy specification at 25 °C (+77 °F) and 1013 mbar including non-linearity, calibration uncertainty, and repeatability; temperature and pressure compensated ¹⁾		
Accuracy at +25 °C (+77 °F) and 1013 mbar	0 ... 2 vol-%: ±0.1 vol-%CH₄ 2 ... 5 vol-%: ±5% of reading	90 ... 100 vol-%: ±1 vol-% 0 ... 90 vol-%: ±2 vol-%
Repeatability	< ±0.1 vol-% at 1% CH ₄	±0.4 vol-% at 95 vol-%
Temperature dependence (typical)	Compensated: 0 ... 2 vol-%: ±0.05%CH₄ 2 ... 5 vol-%: ±0.2%CH₄	Compensated, 0 ... 100 vol-%: ±0.4 vol-%
	Uncompensated: ±0.7 % of reading / °C	Uncompensated, 0 ... 100 vol-%: ±0.1 % of reading / °C

Property	Methane CH ₄	Carbon dioxide CO ₂
Pressure dependence (typical)	Compensated: 0 ... 2 vol-%: ±0.05%CH₄ 2 ... 5 vol-%: ±0.1%CH₄	Compensated, 0 ... 100 vol-%: ±1 vol-%CO₂
	Uncompensated: ±0.2 % of reading / mbar	Uncompensated, 0 ... 100 vol-%: ±0.15 % of reading / mbar
Long-term stability	0 ... 2 vol-%: ±0.1 vol-%CH₄ / year 2 ... 5 vol-%: ±5% of reading / year	±2 vol-%/year
Start-up time ²⁾		30 s
Warm-up time ³⁾		2 min ⁴⁾
Response time (T ₉₀)		90 s ⁵⁾
Response time with flow-through adapter		90 s at ≥ 0.5 l/min ⁵⁾ (recommended: 0.5 ... 1 l/min)

- 1) *Excluding cross-interferences to other gases.*
- 2) *Time to first reading.*
- 3) *Time to specified accuracy.*
- 4) *At +20 °C (+68 °F) ambient temperature.*
- 5) *With standard PTFE filter.*

MGP260 series common specifications

Table 12 Inputs and outputs

Property	Specification
Operating voltage	18 ... 30 VDC
Power consumption	Typical: 3 W Maximum: 6 W
Digital output	RS-485 (Modbus RTU)
Analog output	3 × 4 ... 20 mA scalable, isolated
Analog output load	Minimum: 0 Ω Maximum: 500 Ω
Analog output accuracy	±0.2 % of full scale at 25 °C (77 °F)

Property	Specification
Analog output temperature dependence	0.005 %/°C (0.003 %/°F) full scale
Analog input (optional)	1 × 4 ... 20 mA (Ex ia) for external pressure or temperature sensor ¹⁾

- 1) *The optional analog input is galvanically isolated and provides power for the connected external pressure sensor.*

Table 13 Compliance

Property	Specification
Electromagnetic compatibility (EMC)	EN61326-1, Industrial environment
Ex classification	Ex II 1/2 (1) G Ex eb mb [ia] IIB T3 Ga/Gb -40 °C ≤ Tamb ≤ +60 °C
IP rating	IP66

Table 14 Operating environment

Property	Specification
Operating temperature range	-40 ... +60 °C (-40 ... +140 °F)
Operating humidity range	0 ... 100 %RH
Storage temperature range	-40 ... +60 °C (-40 ... +140 °F)
Storage humidity range	0 ... 90 %RH
Process pressure range	-500 ... +500 mbar(g)
Process temperature range	+0 ... +60 °C (+32 ... +140 °F)
Process flow range	0 ... 20 m/s

Table 15 Mechanical specification

Property	Specification
Weight	3 kg (6.6 lb)
Thread type	1.5" male NPT
Cable lead-throughs	1 x M16x1.5 2 x M20x1.5
Materials	
Probe body	AISI316L stainless steel, PPS
Filter cap	Sintered PTFE

Table 16 Options and accessories

Item	Order Code
Configuration cable (RS485/USB) ¹⁾	257295
Flow-through adapter	258877
Sintered PTFE filter (includes O-ring)	DRW249919SP
NPT 1.5" thread test plug	257525SP

1) *Vaisala Insight software for Windows® available at www.vaisala.com/insight*

10.2 Flow-through adapter dimensions

Figure 27 (page 68) shows the dimensions of the MGP260 flow-through adapter 258877 with MGP260 installed into the adapter. The dimension figure also shows the measurement (from the edge of the adapter mounting plate to the edge of the connection box) that can be used to verify that the probe has been inserted to correct installation depth. The dimensions are given in millimeters and [inches].

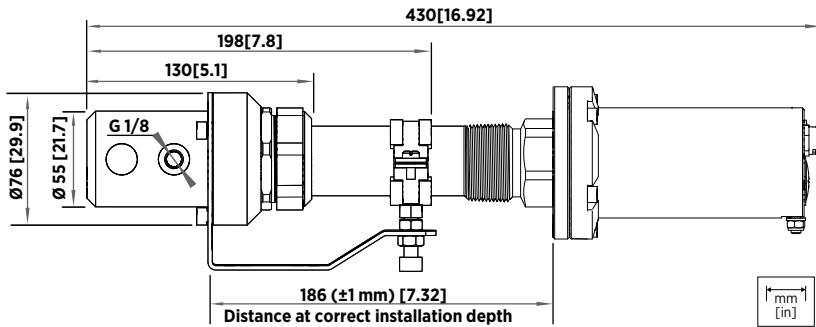
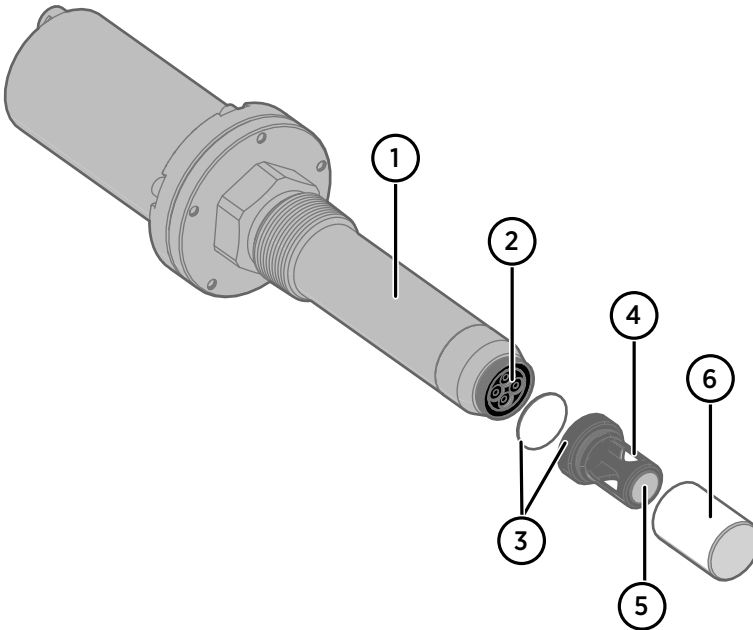


Figure 27 Flow-through adapter dimensions with MGP260 probe

10.4 Wetted parts material information

Vaisala Oyj, as a manufacturer of the Vaisala MGP260 Series CARBOCAP® Multigas Probes, certifies that the materials used in the wetted parts of MGP260 probes are the following:



- 1 **Probe body:** AISI 316L, EN 1.4404 (X2CrNiMo17-12-2) (AISI 316L)
- 2 **Sensor package window:** polished sapphire
- 3 **O-ring:** ethylene-propylene rubber, black
- 4 **Measurement cuvette:** PPS GF40 (polyphenylene sulfide, 40 % glass fibers, black)
- 5 **Infrared measurement mirror:** optical borosilicate glass, class BK7
- 6 **Filter cap:** PTFE (polytetrafluoroethylene, porous/solid structure)

10.5 Recycling instructions

These recycling instructions guide you on the end-of-life treatment of this Vaisala product. As waste regulations and infrastructure vary in each country, these instructions only indicate the different components to be separated and common ways to handle them. Always follow local requirements when disposing of the product. Vaisala encourages to use the best available recycling practices to minimize related environmental impacts.



Vaisala is committed to meeting the requirements of the EU Waste Electrical and Electronic Equipment (WEEE) Directive. This directive aims to minimize the impact of electrical and electronic goods on the environment, by increasing reuse and recycling, and reducing the amount of WEEE going to landfill. This symbol indicates that the product should be collected separately from other waste streams and treated appropriately.

MGP260 probes have metal, plastic, and rubber parts that can be removed for recycling. [Figure 30 \(page 71\)](#) highlights the metal parts (connection box, metal barrier, strain relief plates, and screws), plastic parts (filter and cuvette), and the rubber O-ring.

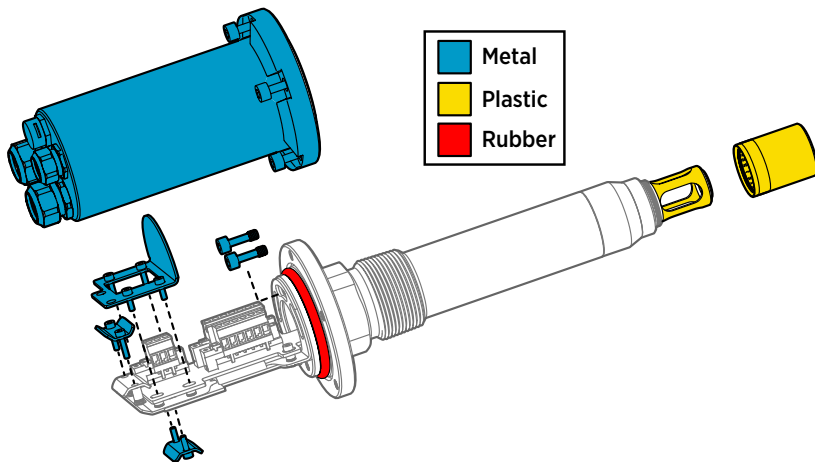


Figure 30 Removing parts for recycling

After removing the parts highlighted in [Figure 30 \(page 71\)](#), dispose of the remaining probe body and component board (shown in [Figure 31 \(page 71\)](#)) as electrical and electronic waste.

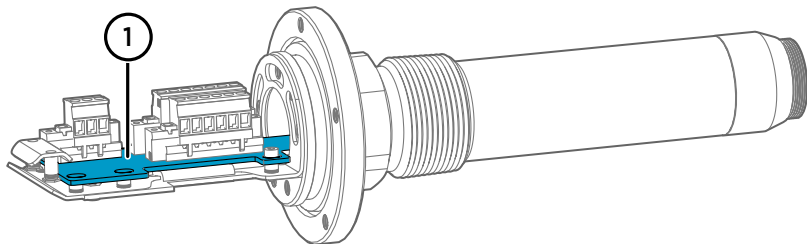


Figure 31 Probe body and component board: dispose as electrical and electronic waste

1 Printed circuit board

Appendix A. Modbus reference

A.1 Modbus registers



CAUTION! Registers are numbered in decimal, starting from one. Register addresses in actual Modbus messages (Modbus Protocol Data Unit (PDU) are in hexadecimal and start from zero. Subtract 1 from the register number presented in this manual to get the address used in the Modbus message. For example, the register number 769 (Modbus address) corresponds to address 0300_{hex} in the Modbus message.

Accessing unavailable (temporarily missing) measurement data does not generate an exception. "Unavailable" value (a quiet NaN for floating point data or 0000_{hex} for integer data) is returned instead. An exception is generated only for any access outside the applicable register ranges.

A.1.1 Measurement data registers

Table 17 Modbus measurement data registers (read-only)

Register number (decimal)	Address (hexadecimal)	Register description	Data format	Unit
Floating point values				
1	0000 _{hex}	Methane (CH ₄) concentration	32-bit float	ppm _v
	0001 _{hex}			
3	0002 _{hex}	Methane (CH ₄) concentration, dry basis ¹⁾	32-bit float	ppm _v
	0003 _{hex}			
5	0004 _{hex}	Carbon dioxide (CO ₂) concentration	32-bit float	ppm _v
	0005 _{hex}			
7	0006 _{hex}	Carbon dioxide (CO ₂) concentration, dry basis ¹⁾	32-bit float	ppm _v
	0007 _{hex}			
9	0008 _{hex}	Water (H ₂ O) concentration ¹⁾	32-bit float	ppm _v
	0009 _{hex}			
11	000A _{hex}	Water (H ₂ O) concentration, dry basis ¹⁾	32-bit float	ppm _v
	000B _{hex}			

Register number (decimal)	Address (hexadecimal)	Register description	Data format	Unit
Floating point values				
13	000C _{hex}	Dew point temperature ¹⁾	32-bit float	T _d °C
	000D _{hex}			
15	000E _{hex}	Dew / frost point temperature ¹⁾	32-bit float	T _{df} °C
	000F _{hex}			
17	0010 _{hex}	Sensor temperature	32-bit float	Ts °C
	0011 _{hex}			

1) MGP261 only

Integer values				
257	0100 _{hex}	Methane (CH ₄) concentration	16-bit integer	ppm _v / 100 (parts per ten thousand)
258	0101 _{hex}	Methane (CH ₄) concentration, dry basis ¹⁾	16-bit integer	ppm _v / 100 (parts per ten thousand)
259	0102 _{hex}	Carbon dioxide (CO ₂) concentration	16-bit integer	ppm _v / 100 (parts per ten thousand)
260	0103 _{hex}	Carbon dioxide (CO ₂) concentration, dry basis ¹⁾	16-bit integer	ppm _v / 100 (parts per ten thousand)
261	0104 _{hex}	Water (H ₂ O) concentration ¹⁾	16-bit integer	ppm _v / 100 (parts per ten thousand)
262	0105 _{hex}	Water (H ₂ O) concentration, dry basis ¹⁾	16-bit integer	ppm _v / 100 (parts per ten thousand)
263	0106 _{hex}	Dew point temperature ¹⁾	16-bit integer (× 10)	T _{df} °C T _{df} °F
264	0107 _{hex}	Dew / frost point temperature ¹⁾	16-bit integer (× 10)	T _{df} °C T _{df} °F

A.1.2 Configuration registers

Table 18 Modbus configuration data registers (writable)

Register number (decimal)	Address (hexadecimal)	Register description	Data format	Unit / Valid range
Environmental compensation				
769	0300 _{hex}	Power-up value for pressure compensation	32-bit float	hPa Range: 450 ... 1550 Init/default: 1013.25
771	0302 _{hex}	Power-up value for temperature compensation	32-bit float	°C Range: -10 ... 70 Init/default: 25
773	0304 _{hex}	Volatile pressure compensation (value cleared at probe reset)	32-bit float	hPa Range 450 ... 1550 hPa Init/default: 1013.25
775	0306 _{hex}	Volatile temperature compensation (value cleared at probe reset)	32-bit float	°C Range: -10 ... 70 Init/default: 25
Function control				
1281	0500 _{hex}	Pressure compensation mode selection	Enum	0 = Off 1 = Setpoint 2 = External
1282	0501 _{hex}	Temperature compensation mode selection	Enum	0 = Off 1 = Setpoint 2 = Measured 3 = External
Communication				
1537	0600 _{hex}	Serial address	16-bit integer	Valid range 1 ... 255 Default: 240

Communication				
1538	0601 _{hex}	Bit rate	Enum	Valid range 4800 ... 115200 4 = 4800 5 = 9600 6 = 19200 7 = 38400 8 = 57600 9 = 115200 (default: 6 (19200))
1539	0602 _{hex}	Parity, data, stop bits	Enum	0 = N,8,1 1 = N,8,2 2 = E,8,1 3 = E,8,2 4 = O,8,1 5 = O,8,2
1540	0603 _{hex}	Response delay	16-bit integer	Valid range 0 ... 1000
1541	0604 _{hex}	Restart device	Function	
Analog output 1				
1793	0700 _{hex}	Analog output 1 mode selection	Enum	0 = Disabled 1 = 4 – 20 mA

Analog output 1				
1794	0701 _{hex}	Analog output 1 measurement parameter selection. When written, scalings are reset.	Reg	0000 _{hex} (CH ₄ wet basis) 0002 _{hex} (CH ₄ dry basis) ¹⁾ 0004 _{hex} (CO ₂ wet basis) 0006 _{hex} (CO ₂ dry basis) ¹⁾ 0008 _{hex} (H ₂ O wet basis) ¹⁾ 000A _{hex} (H ₂ O dry basis) ¹⁾ 000C _{hex} (T _d) ¹⁾ 000E _{hex} (T _{df}) ¹⁾ See Table 17 (page 72)

Analog output 1				
1795	0702 _{hex}	Scale low end for analog output 1 measurement parameter. Minimum and maximum values vary for different parameters.	Float	Output parameters 0000 _{hex} (CH ₄ wet basis) 0002 _{hex} (CH ₄ dry basis) ¹⁾ 0004 _{hex} (CO ₂ wet basis) 0006 _{hex} (CO ₂ dry basis) ¹⁾ : Minimum: 0 Maximum: 1000000
				Output parameters 0008 _{hex} (H ₂ O wet basis) ¹⁾ 000A _{hex} (H ₂ O dry basis) ¹⁾ : Minimum: 0 Maximum: 250000
				Output parameters 000C _{hex} (T _d) ¹⁾ 000E _{hex} (T _{df}) ¹⁾ : Minimum: -10 Maximum: 60

Analog output 1				
1797	0704 _{hex}	Scale high end for analog output 1 measurement parameter. Minimum and maximum values vary for different parameters.	Float	Output parameters 0000 _{hex} (CH ₄ wet basis) 0002 _{hex} (CH ₄ dry basis) ¹⁾ 0004 _{hex} (CO ₂ wet basis) 0006 _{hex} (CO ₂ dry basis) ¹⁾ : Minimum: 0 Maximum: 1000000
				Output parameters 0008 _{hex} (H ₂ O wet basis) ¹⁾ 000A _{hex} (H ₂ O dry basis) ¹⁾ : Minimum: 0 Maximum: 250000
				Output parameters 000C _{hex} (T _d) ¹⁾ 000E _{hex} (T _{df}) ¹⁾ : Minimum: -10 Maximum: 60
1799	0706 _{hex}	Error output level (mA)	Float	Min. 0.5 mA Max. 24 mA
1801	0708 _{hex}	Low clipping limit	Float	0 ... 2.5 %
1803	070A _{hex}	Low error limit	Float	0 ... 1025 %
1805	070C _{hex}	High clipping limit	Float	0 ... 12.5 %
1807	070E _{hex}	High error limit	Float	0 ... 1025 %

1) MGP261 only.

Analog output 2				
2049	0800 _{hex}	Analog output 2 mode selection	Enum	0 = Disabled 1 = 4 – 20 mA
2050	0801 _{hex}	Analog output 2 measurement parameter selection. When written, scalings are reset.	Reg	0000 _{hex} (CH ₄ wet basis) 0002 _{hex} (CH ₄ dry basis) ¹⁾ 0004 _{hex} (CO ₂ wet basis) 0006 _{hex} (CO ₂ dry basis) ¹⁾ 0008 _{hex} (H ₂ O wet basis) ¹⁾ 000A _{hex} (H ₂ O dry basis) ¹⁾ 000C _{hex} (T _d) ¹⁾ 000E _{hex} (T _{df}) ¹⁾ See Table 17 (page 72)

Analog output 2				
2051	0802 _{hex}	Scale low end for analog output 2 measurement parameter. Minimum and maximum values vary for different parameters.	Float	Output parameters 0000 _{hex} (CH ₄ wet basis) 0002 _{hex} (CH ₄ dry basis) ¹⁾ 0004 _{hex} (CO ₂ wet basis) 0006 _{hex} (CO ₂ dry basis) ¹⁾ : Minimum: 0 Maximum: 1000000
				Output parameters 0008 _{hex} (H ₂ O wet basis) ¹⁾ 000A _{hex} (H ₂ O dry basis) ¹⁾ : Minimum: 0 Maximum: 250000
				Output parameters 000C _{hex} (T _d) ¹⁾ 000E _{hex} (T _{df}) ¹⁾ : Minimum: -10 Maximum: 60

Analog output 2				
2053	0804 _{hex}	Scale high end for analog output 2 measurement parameter. Minimum and maximum values vary for different parameters.	Float	Output parameters 0000 _{hex} (CH ₄ wet basis) 0002 _{hex} (CH ₄ dry basis) ¹⁾ 0004 _{hex} (CO ₂ wet basis) 0006 _{hex} (CO ₂ dry basis) ¹⁾ : Minimum: 0 Maximum: 1000000
				Output parameters 0008 _{hex} (H ₂ O wet basis) ¹⁾ 000A _{hex} (H ₂ O dry basis) ¹⁾ : Minimum: 0 Maximum: 250000
				Output parameters 000C _{hex} (T _d) ¹⁾ 000E _{hex} (T _{df}) ¹⁾ : Minimum: -10 Maximum: 60
2055	0806 _{hex}	Error output level (mA)	Float	Min. 0.5 mA Max. 24 mA
2057	0808 _{hex}	Low clipping limit	Float	0 ... 2.5 %
2059	080A _{hex}	Low error limit	Float	0 ... 1025 %
2061	080C _{hex}	High clipping limit	Float	0 ... 12.5 %
2063	080E _{hex}	High error limit	Float	0 ... 1025 %

Analog output 3				
2305	0900 _{hex}	Analog output 3 mode selection	Enum	0 = Disabled 1 = 4 – 20 mA
2306	0901 _{hex}	Analog output 3 measurement parameter selection. When written, scalings are reset.	Reg	0000 _{hex} (CH ₄ wet basis) 0002 _{hex} (CH ₄ dry basis) ¹⁾ 0004 _{hex} (CO ₂ wet basis) 0006 _{hex} (CO ₂ dry basis) ¹⁾ 0008 _{hex} (H ₂ O wet basis) ¹⁾ 000A _{hex} (H ₂ O dry basis) ¹⁾ 000C _{hex} (T _d) ¹⁾ 000E _{hex} (T _{df}) ¹⁾ See Table 17 (page 72)

Analog output 3				
2307	0902 _{hex}	Scale low end for analog output 3 measurement parameter. Minimum and maximum values vary for different parameters.	Float	Output parameters 0000 _{hex} (CH ₄ wet basis) 0002 _{hex} (CH ₄ dry basis) ¹⁾ 0004 _{hex} (CO ₂ wet basis) 0006 _{hex} (CO ₂ dry basis) ¹⁾ : Minimum: 0 Maximum: 1000000
				Output parameters 0008 _{hex} (H ₂ O wet basis) ¹⁾ 000A _{hex} (H ₂ O dry basis) ¹⁾ : Minimum: 0 Maximum: 250000
				Output parameters 000C _{hex} (T _d) ¹⁾ 000E _{hex} (T _{df}) ¹⁾ : Minimum: -10 Maximum: 60

Analog output 3				
2309	0904 _{hex}	Scale high end for analog output 3 measurement parameter. Minimum and maximum values vary for different parameters.	Float	Output parameters 0000 _{hex} (CH ₄ wet basis) 0002 _{hex} (CH ₄ dry basis) ¹⁾ 0004 _{hex} (CO ₂ wet basis) 0006 _{hex} (CO ₂ dry basis) ¹⁾ : Minimum: 0 Maximum: 1000000
				Output parameters 0008 _{hex} (H ₂ O wet basis) ¹⁾ 000A _{hex} (H ₂ O dry basis) ¹⁾ : Minimum: 0 Maximum: 250000
				Output parameters 000C _{hex} (T _d) ¹⁾ 000E _{hex} (T _{df}) ¹⁾ : Minimum: -10 Maximum: 60
2311	0906 _{hex}	Error output level (mA)	Float	Min. 0.5 mA Max. 24 mA
2313	0908 _{hex}	Low clipping limit	Float	0 ... 2.5 %
2315	090A _{hex}	Low error limit	Float	0 ... 1025 %
2317	090C _{hex}	High clipping limit	Float	0 ... 12.5 %
2319	090E _{hex}	High error limit	Float	0 ... 1025 %

Analog input 1				
2562	0A01 _{hex}	Analog input 1 compensation parameter. Read-only: controlled by the pressure and temperature compensation mode registers.	Reg	0204 _{hex} (pressure) 0206 _{hex} (temperature)
2563	0A02 _{hex}	Scale low end for analog input 1 compensation parameter. Minimum and maximum values vary for different parameters.	Float	0204 _{hex} (pressure) Minimum: 0 Maximum: 20 000
				0206 _{hex} (temperature) Minimum: -200 Maximum: 400
2565	0A04 _{hex}	Scale high end for analog input 1 compensation parameter. Minimum and maximum values vary for different parameters.	Float	0204 _{hex} (pressure) Minimum: 0 Maximum: 20 000
				0206 _{hex} (temperature) Minimum: -200 Maximum: 400
2567	0A06 _{hex}	Input value (read-only)	Float	

A.1.3 Status registers

Table 19 Modbus status data registers (read-only)

Register number (decimal)	Address (hexadecimal)	Register description	Data format	Bitmask
513	0200 _{hex}	Error code	32-bit signed integer	0201 _{hex} (status code low): see Table 20 (page 87) .
	0202 _{hex}			0202 _{hex} (status code high): see Table 21 (page 87) .

Register number (decimal)	Address (hexadecimal)	Register description	Data format	Bitmask
517	0204 _{hex}	Pressure compensation values in use	Float	
519	0206 _{hex}	Temperature compensation values in use	Float	
521	0208 _{hex}	CH ₄ measurement status	16-bit signed integer	0000_{hex} : Unsupported 0001_{hex} : Reading is not reliable 0002_{hex} : Under range 0003_{hex} : Over range 0004_{hex} : Noisy 0005_{hex} : Value locked 0006_{hex} : Calibration expired 0007_{hex} : Sensor failure 0008_{hex} : Measurement not ready
522	0209 _{hex}	CH ₄ measurement status (dry basis) ¹⁾	16-bit signed integer	
523	020A _{hex}	CO ₂ measurement status	16-bit signed integer	
524	020B _{hex}	CO ₂ measurement status (dry basis) ¹⁾	16-bit signed integer	
525	020C _{hex}	H ₂ O measurement status ¹⁾	16-bit signed integer	
526	020D _{hex}	T _{df} measurement status ¹⁾	16-bit signed integer	
527	020E _{hex}	T _s measurement status ¹⁾	16-bit signed integer	
528	020F _{hex}	Device status	16-bit signed integer	0000_{hex} : Critical failure 0001_{hex} : Error 0002_{hex} : Warning 0003_{hex} : Notification
529	0210 _{hex}	Clear error log: the error log is cleared if 1 is written, other values are ignored. Register always reads as 0.	Function	
530	0211 _{hex}	Analog input level	Float	
532	0213 _{hex}	Analog input value	Float	

1) MGP261 only

Table 20 Error codes in register 0200_{hex} (status code low)

Bitmask	Error message	Severity
0000 _{hex}	Firmware checksum mismatch.	Critical
0001 _{hex}	Device settings corrupted.	Critical
0009 _{hex}	Infrared source temperature too high.	Error
0010 _{hex}	Infrared source failure.	Error
0011 _{hex}	Infrared source failure.	Error
0012 _{hex}	Supply voltage out of range.	Error
0013 _{hex}	Internal voltage out of range.	Error
0014 _{hex}	Sensor signal low.	Error
0015 _{hex}	Sensor signal low.	Error
0016 _{hex}	Internal voltage out of range.	Error
0017 _{hex}	Sensor signal distorted.	Error
0018 _{hex}	Sensor signal distorted.	Error
0019 _{hex}	CH ₄ measurement out of range.	Error
0020 _{hex}	CO ₂ measurement out of range.	Error
0021 _{hex}	H ₂ O measurement out of range.	Error
0022 _{hex}	T _d measurement out of range.	Error
0023 _{hex}	Sensor heater failure.	Error
0024 _{hex}	Infrared source temperature too high.	Error
0025 _{hex}	Internal temperature too high.	Error
0026 _{hex}	Temperature measurement error.	Error
0027 _{hex}	Supply power insufficient for analog input.	Error
0028 _{hex}	Analog input 1 out of range.	Error
0030 _{hex}	Internal temperature error.	Error
0031 _{hex}	Supply power insufficient for operation.	Error

Table 21 Error codes in register 0202_{hex} (status code high)

Bitmask	Error message	Severity
0032 _{hex}	Sensor signal low.	Warning

Bitmask	Error message	Severity
0033 _{hex}	Sensor signal low.	Warning
0034 _{hex}	Internal temperature high.	Warning
0035 _{hex}	Sensor signal distorted.	Warning
0036 _{hex}	Sensor signal distorted.	Warning
0037 _{hex}	Sensor signal distorted.	Warning
0038 _{hex}	Unexpected device restart.	Warning
0039 _{hex}	Calibration has expired.	Warning
0042 _{hex}	Infrared source temperature out of range.	Warning
0043 _{hex}	Supply power insufficient for analog input.	Warning
0044 _{hex}	Infrared source temperature out of range.	Warning
0048 _{hex}	Heater off.	Info
0049 _{hex}	Calibration is about to expire.	Info

A.1.4 Device identification objects

Table 22 Device identification objects

Object ID (decimal)	Object ID (hexadecimal)	Object name	Example contents
0	00 _{hex}	VendorName	"Vaisala"
1	01 _{hex}	ProductCode	"MGP261 "
2	02 _{hex}	MajorMinorVersion	Software version (for example "1.2.3")
3	03 _{hex}	VendorUrl	"http://www.vaisala.com/"
4	04 _{hex}	ProductName	"Vaisala Multigas Probe MGP261"
128	80 _{hex}	SerialNumber ¹⁾	Probe serial number (for example, "R0710040")
129	81 _{hex}	Calibration date ¹⁾	Date of the factory calibration

Object ID (decimal)	Object ID (hexadecimal)	Object name	Example contents
130	82 _{hex}	Calibration text ¹⁾	Information text of the factory calibration

1) *Vaisala-specific device information object.*

Maintenance and calibration services



Vaisala offers comprehensive customer care throughout the life cycle of our measurement instruments and systems. Our factory services are provided worldwide with fast deliveries. For more information, see www.vaisala.com/calibration.

- Vaisala Online Store at store.vaisala.com is available for most countries. You can browse the offering by product model and order the right accessories, spare parts, or maintenance and calibration services.
- To contact your local maintenance and calibration expert, see www.vaisala.com/contactus.

Warranty

For standard warranty terms and conditions, see www.vaisala.com/warranty.

Please observe that any such warranty may not be valid in case of damage due to normal wear and tear, exceptional operating conditions, negligent handling or installation, or unauthorized modifications. Please see the applicable supply contract or Conditions of Sale for details of the warranty for each product.

Technical support



Contact Vaisala technical support at helpdesk@vaisala.com. Provide at least the following supporting information as applicable:

- Product name, model, and serial number
- Software/Firmware version
- Name and location of the installation site
- Name and contact information of a technical person who can provide further information on the problem

For more information, see www.vaisala.com/support.

Recycling



Recycle all applicable material. For information on recycling the different materials used in MGP260, see [Recycling instructions \(page 70\)](#).



Follow the statutory regulations for disposing of the product and packaging.

VAISALA

www.vaisala.com

